

**/ Descriptions**

TO-92          PNP          Silicon PNP transistor in a TO-92 Plastic Package.

**/ Features**

2SD467  
Complementary pair with 2SD467.

**/ Applications**

Low frequency power amplifier.

**/ Equivalent Circuit**



**/ Pinning**



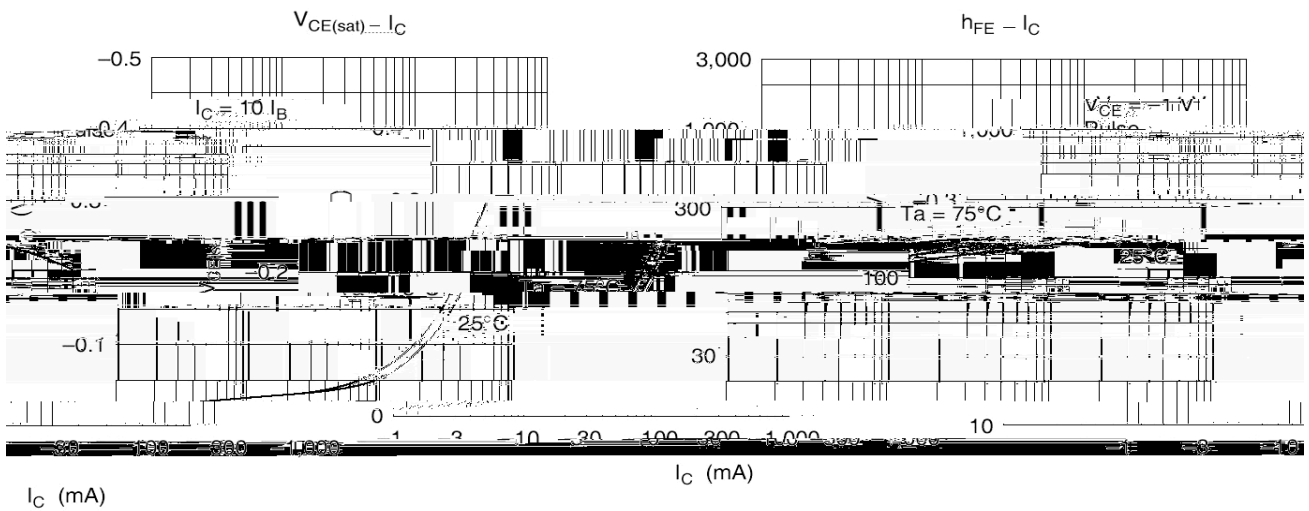
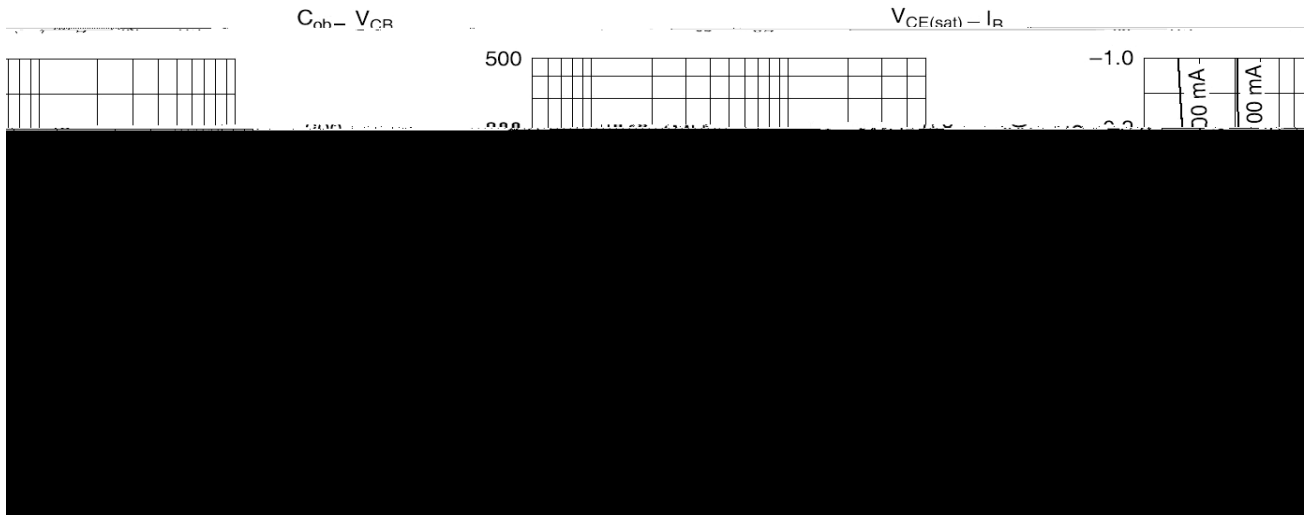
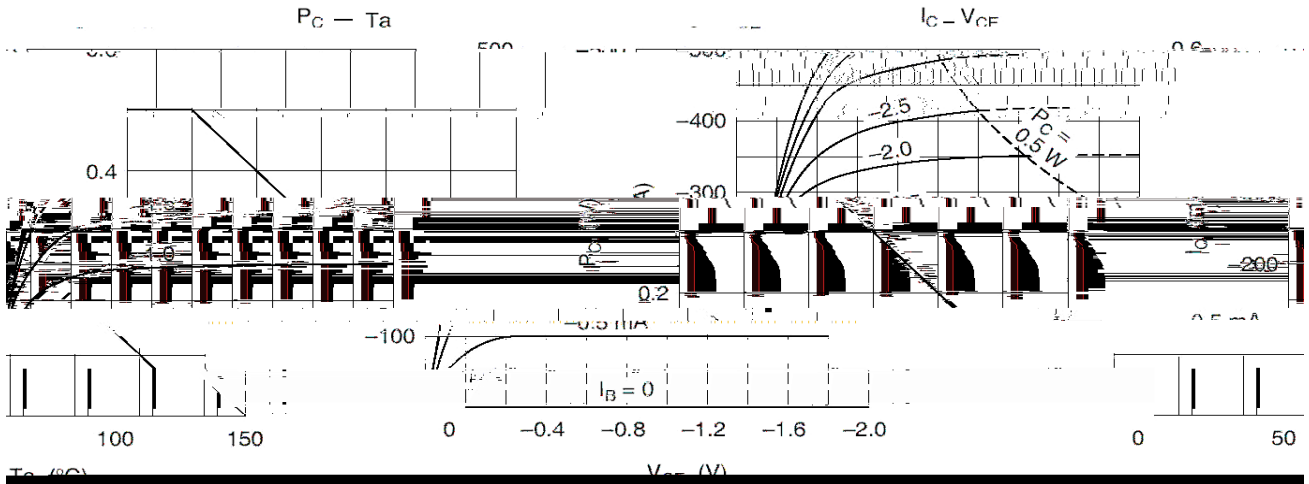
PIN1 Base          PIN 2 Collector          PIN 3 Emitter

**/ hFE Classifications & Marking**

h <sub>FE</sub> Classifications Symbol	B	C
h <sub>FE</sub> Range	85~170	120~240



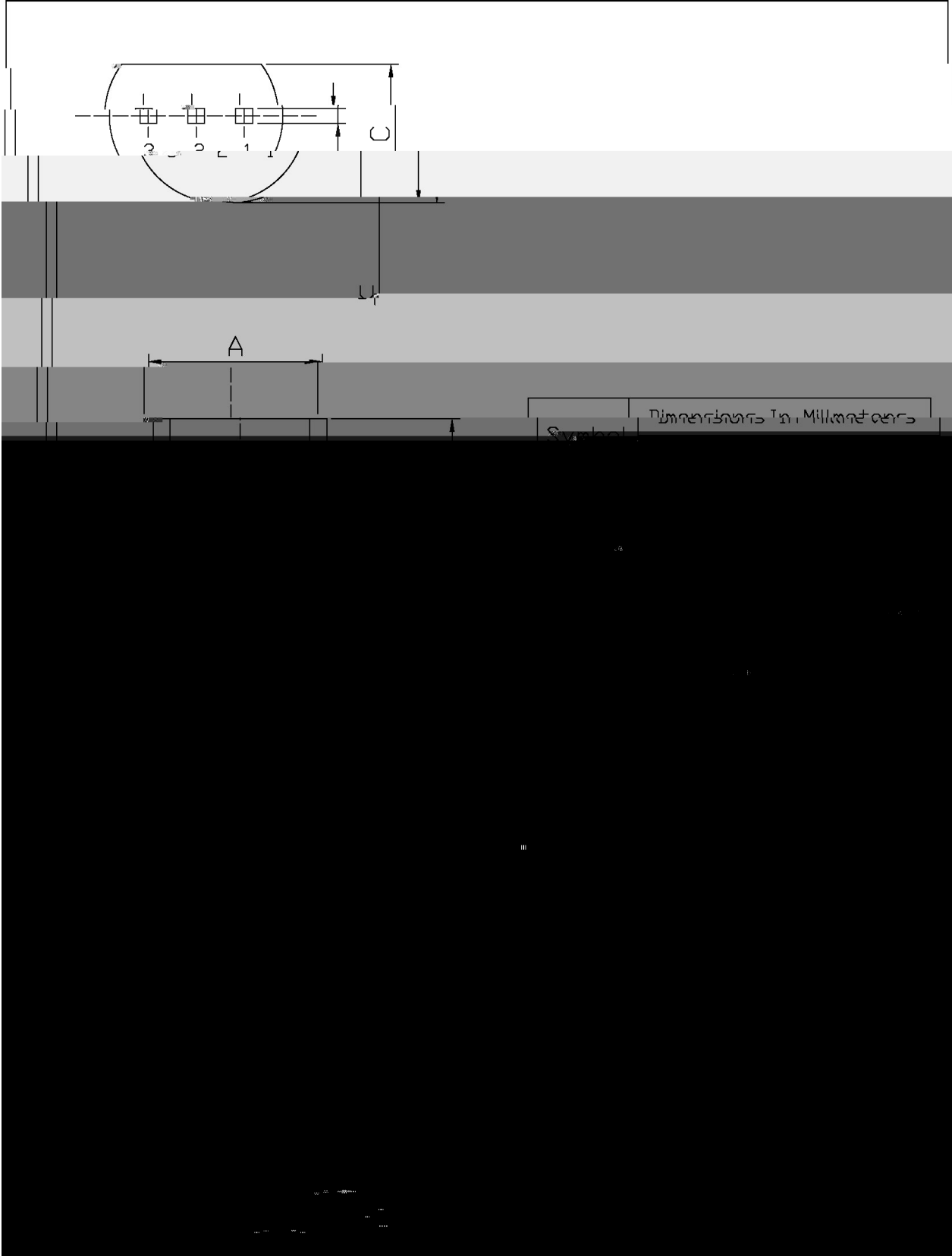
/ Electrical Characteristic Curve



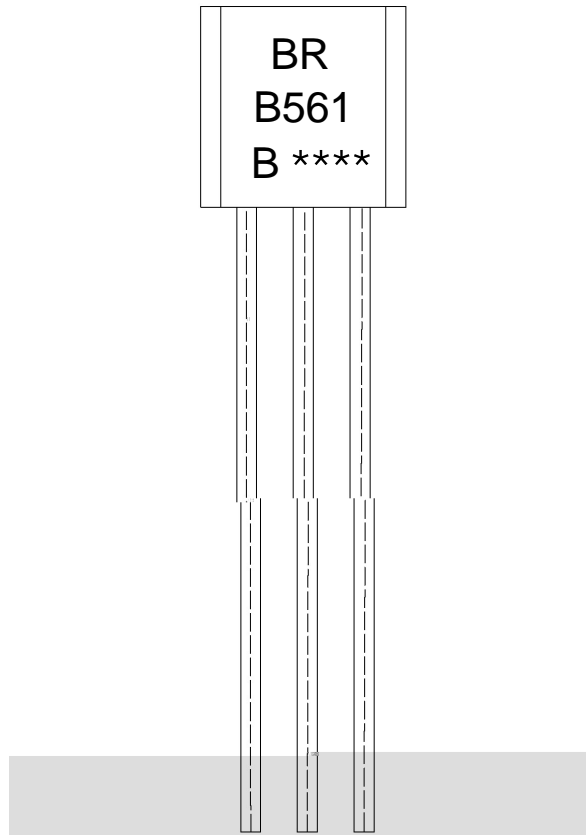
/ Package Dimensions

T0-92

Unit: mm



/ Marking Instructions



BR:

B561

B:  $h_{FE}$

\*\*\*\*

Note:

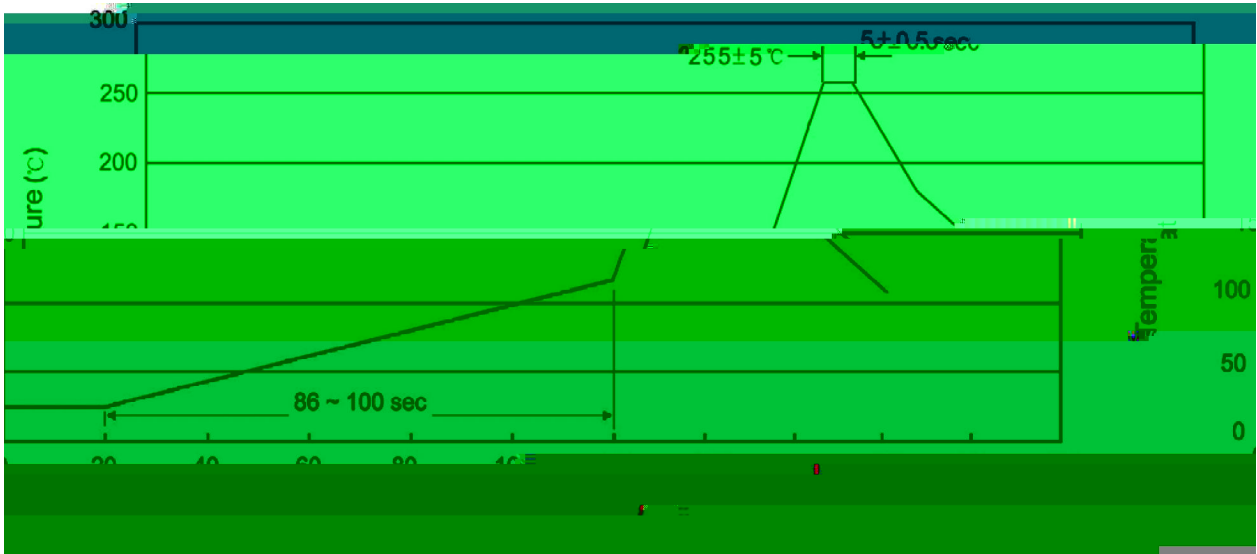
BR: Company Code.

B561: Product Type.

B:  $h_{FE}$  Classifications Symbol

\*\*\*\*: Lot No. Code, code change with Lot No.

( ) / Temperature Profile for Dip Soldering(Pb-Free)



Note:

- |   |       |     |           |          |   |
|---|-------|-----|-----------|----------|---|
| 1 | 25    | 150 | 60        | 90sec;   | 1.Preheating:25~150 , Time:60~90sec.    |
| 2 | 255±5 |     | 5±0.5sec; |          | 2.Peak Temp.:255±5 , Duration:5±0.5sec. |
| 3 |       |     | 2         | 10 /sec. | 3. Cooling Speed: 2~10 /sec.            |

/ Resistance to Soldering Heat Test Conditions

270±5                      10±1 sec.                      Temp:270±5                      Time:10±1 sec

/ Packaging SPEC.

/ BULK

Package Type	Units					Dimension (unit mm3)		
	Units/Bag /	Bags/Inner Box /	Units/Inner Box /	Inner Boxes/Outer Box /	Units/Outer Box /	Bag	Inner Box	Outer Box