

**/ Descriptions**

TO-92          NPN          Silicon NPN transistor in a TO-92 Plastic Package.

**/ Features**

Low noise, high DC current gain, high breakdown voltage

**/ Applications**

Low noise audio amplifier applications.

**/ Equivalent Circuit**



**/ Pinning**



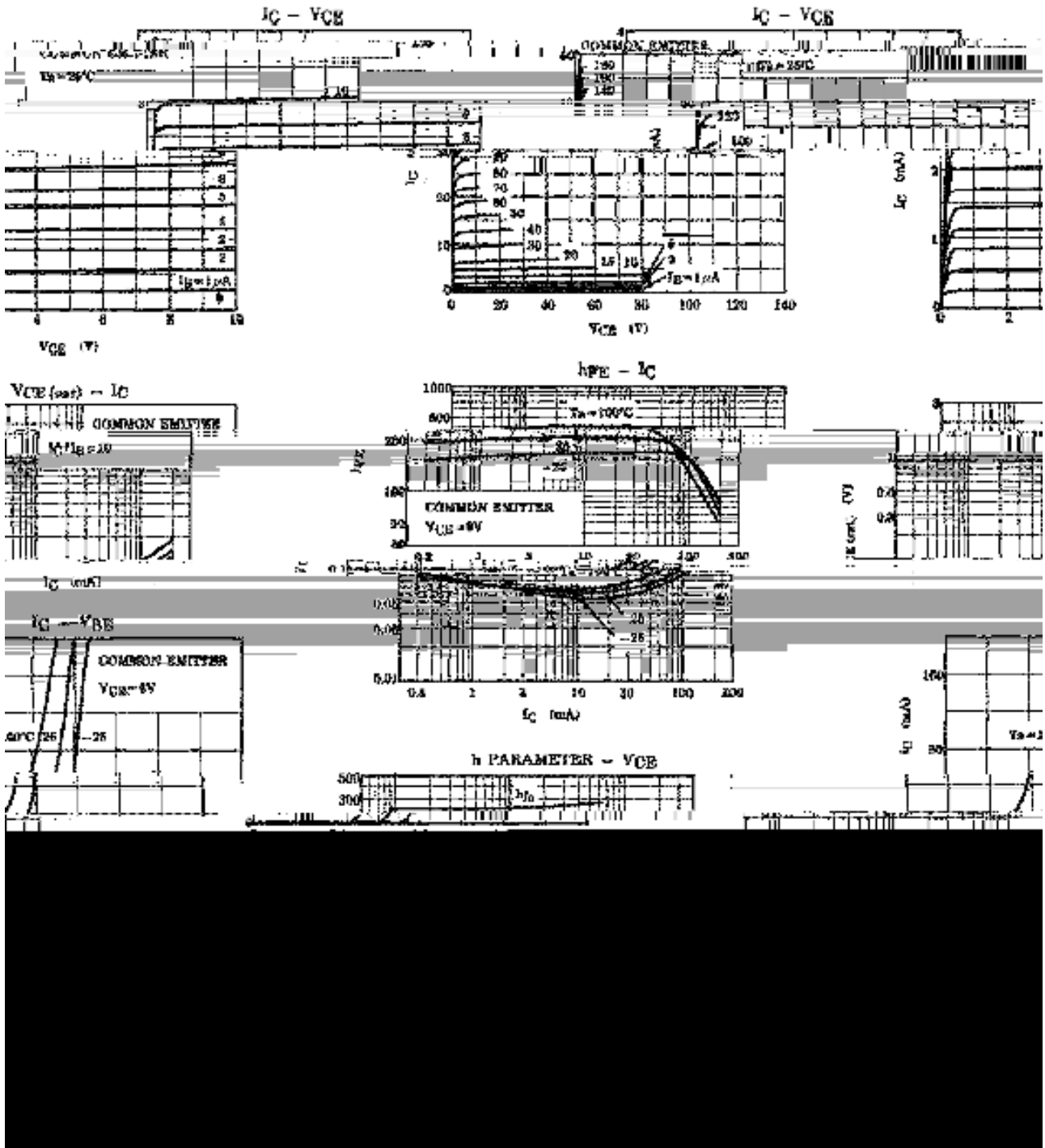
**3**  
PIN1 Base          PIN 2 Collector          PIN 3 Emitter

**/ hFE Classifications & Marking**

h <sub>FE</sub> Classifications Symbol	GR	BL
h <sub>FE</sub> Range	200~400	350~700

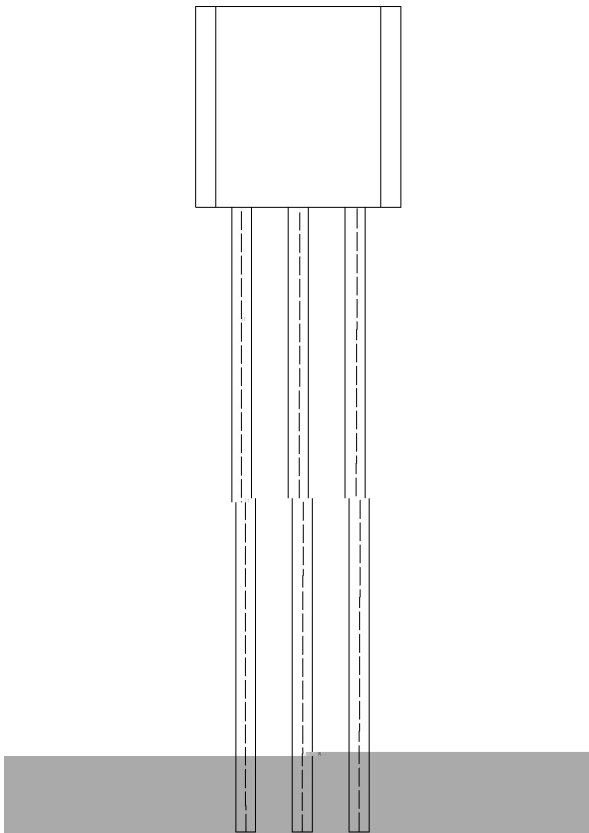
Parameter	Symbol	Rating	Unit
Collector to Base Voltage	$V_{CBO}$	120	V
Collector to Emitter Voltage	$V_{CEO}$	120	V
Emitter to Base Voltage	$V_{EBO}$	5.0	V
Collector Current - Continuous	$I_C$	100	mA
Emitter Current - Continuous	$I_E$	-100	mA
Collector Power Dissipation	$P_C$	300	mW
Junction Temperature	$T_j$	152 591d560TJ/TT7 6 1 Tf8 TD10752	

/ Electrical Characteristic Curve





/ Marking Instructions

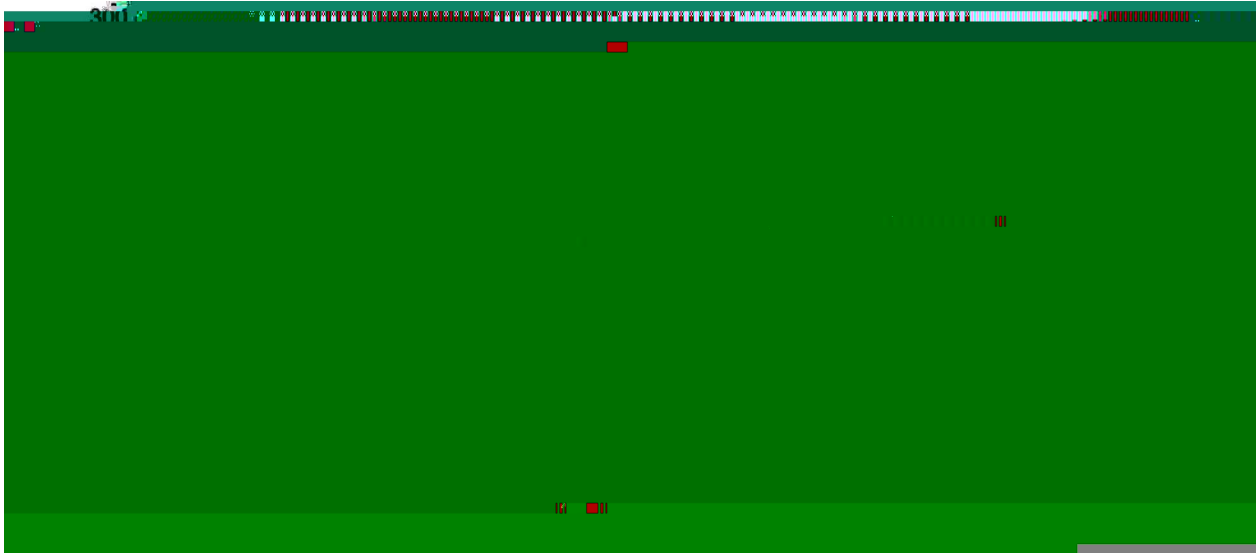


BR:  
C2240  
GR:  $h_{FE}$   
\*\*\*\*

Note:

yewuction003Tj(RdA983 Tm557 TD0 TcGR:9 TD( )Tj/TT1TjE10.5533 0000.0005 74.2040in>1577.900034514.9e00

( ) / Temperature Profile for Dip Soldering(Pb-Free)



Note:

- |   |        |           |   |
|---|--------|-----------|---|
| 1 | 25 150 | 60 90sec; | 1.Preheating:25~150 , Time:60~90sec.    |
| 2 | 255±5  | 5±0.5sec; | 2.Peak Temp.:255±5 , Duration:5±0.5sec. |
| 3 | 2 10   | /sec.     | 3. Cooling Speed: 2~10 /sec.            |

/ Resistance to Soldering Heat Test Conditions

270±5                      10±1 sec.                      Temp:270±5                      Time:10±1 sec

/ Packaging SPEC.

/ BULK

Package Type 封装形式	Units 包装数量					Dimension 包装尺寸 (unit: mm3)		
	Units/Bag 只/袋	Bags/Inner Box 袋/盒	Units/Inner Box 只/盒	Inner Boxes/Outer Box 盒/箱	Units/Outer Box 只/箱	Bag 袋	Inner Box 盒	Outer Box 箱
TO-92	1,000	10	10,000	5	50,000	135×190	237×172×102	560×245×195
	1,000	10	10,000	10	100,000	135×190	237×172×102	560×245×375

/ AMMO

Package Type 封装形式	Units 包装数量					Dimension 包装尺寸 (unit: mm3)	
	Units/tape 只/纸带	Tape/Inner Box 纸带/盒	Rows/Inner Box 纸带层/盒	Inner Boxes/Outer Box 盒/箱	Units/Outer Box 只/箱	Inner Box 盒	Outer Box 箱
TO-92	3,000	1	120	10	30,000	328×230×42	小箱 480×346×235, 大箱 547×407×268

/ Notices