

**/ Descriptions**

KF \$0) E GE Silicon NPN transistor in a TO-92 Plastic Package.

**/ Features**

High transition frequency, low output capacitance.

**/ Applications**

RF amplifier applications.

**/ Equivalent Circuit**



**/ Pinning**



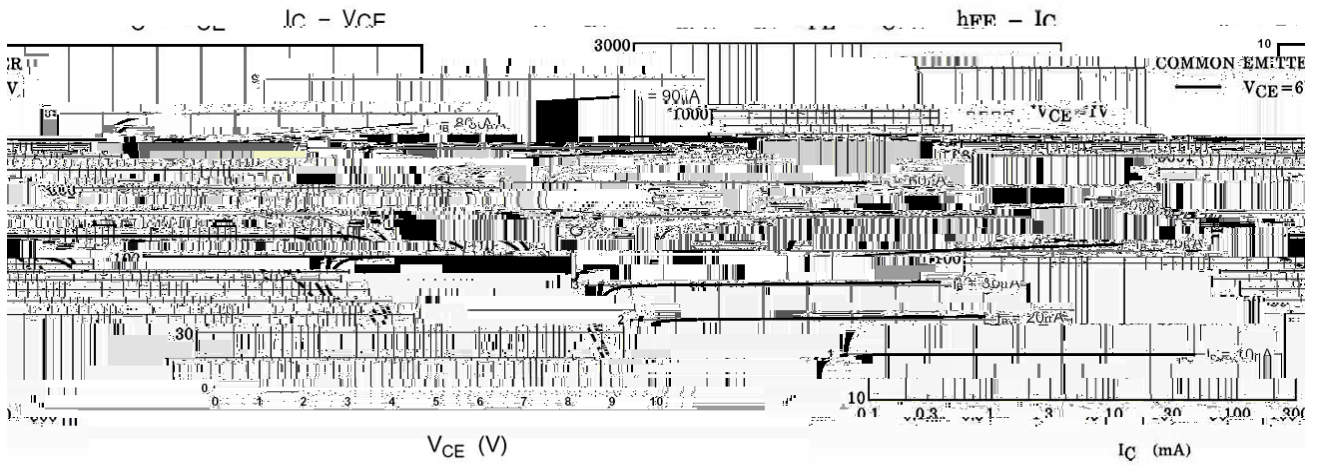
PIN1 Base      PIN 2 Collector      PIN 3 Emitter

**/ hFE Classifications & Marking**

h <sub>FE</sub> Classifications Symbol	R	O	Y
h <sub>FE</sub> Range	40~80	70~140	120~240

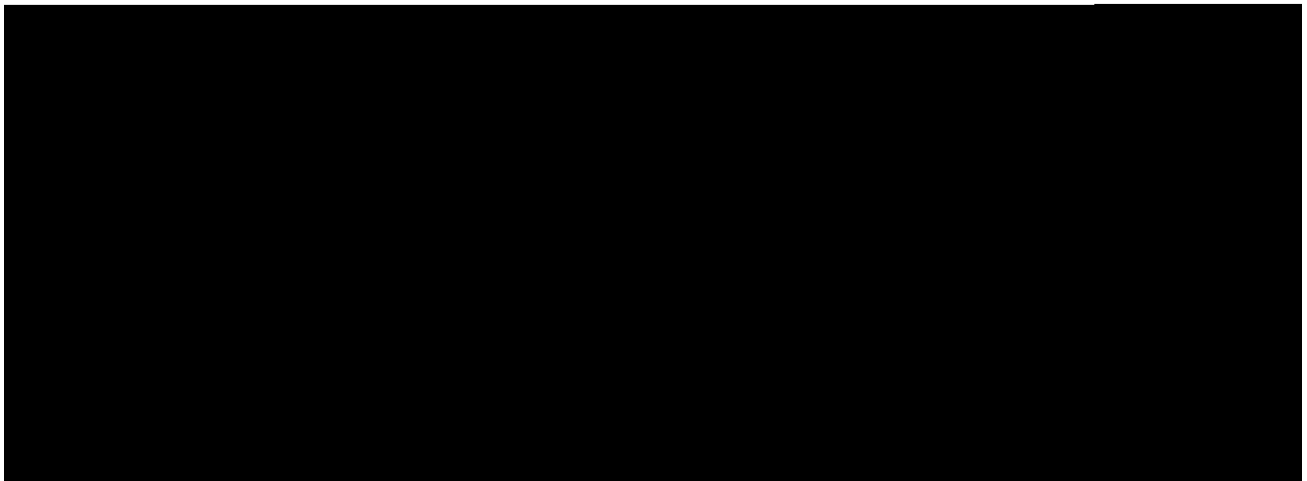
Parameter	Symbol	Rating	Unit
Collector to Base Voltage	$V_{CBO}$	30	V
Collector to Emitter Voltage	$V_{CEO}$	20	V
Emitter to Base Voltage	$V_{EBO}$	4.0	V
Collector Current - Continuous	$I_C$		

/ Electrical Characteristic Curve

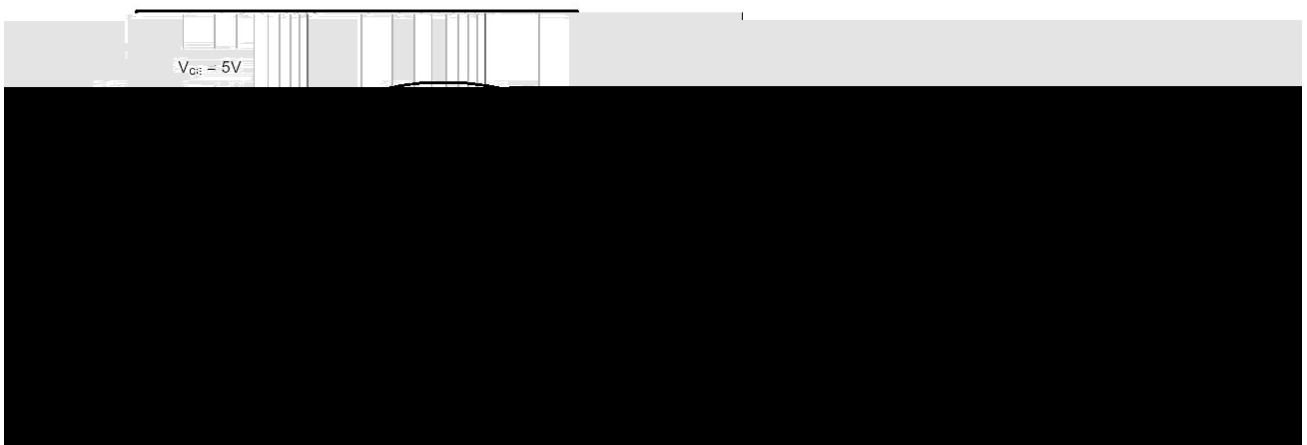


$V_{CE(sat)} - I_{C(sat)}$

$C_{ob} - V_{CR}$

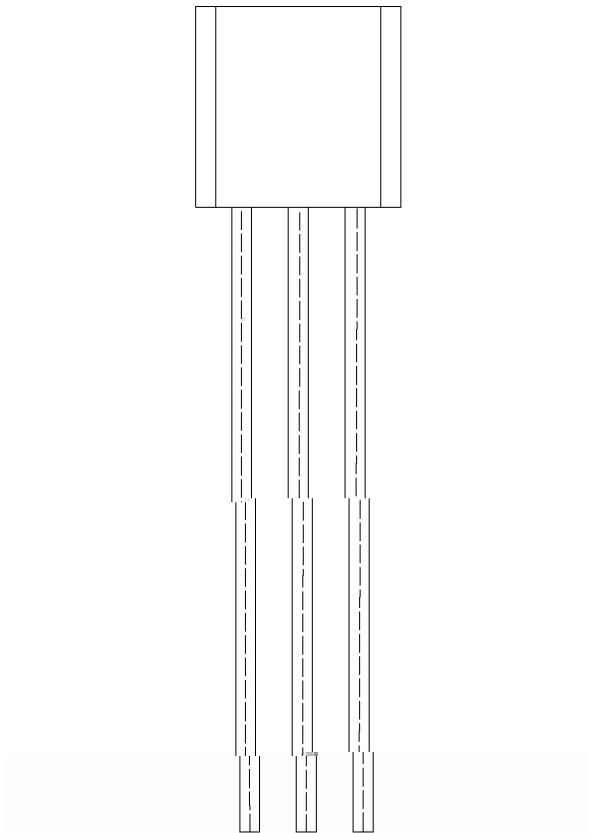


$f_T - I_C$



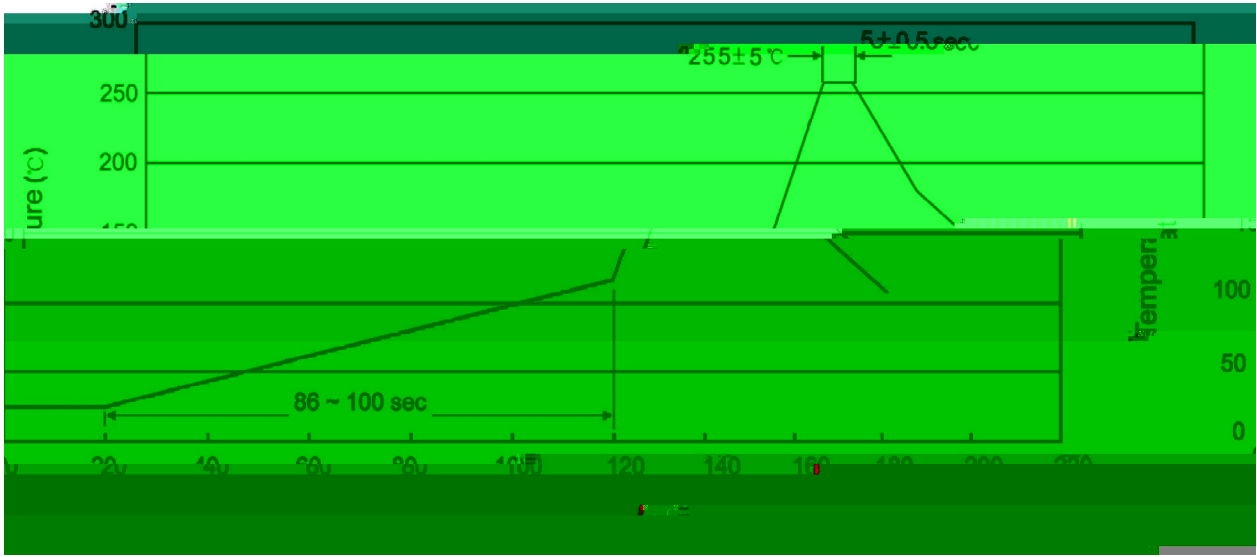


/ Marking Instructions



9| 1  
: , \* +  
| 1  $h_{FE}$   
!!!!  
Note:  
BR: Company Code.  
C5345: Product Type.  
| 1  $h_{FE}$  Classifications Symbol.

( ) / Temperature Profile for Dip Soldering(Pb-Free)



Note:

- |   |        |            |   |
|---|--------|------------|---|
| 1 | 25 150 | 60 90sec;  | 1.Preheating:25~150 , Time:60~90sec.      |
| 2 | 255..5 | 5..0.5sec; | 2.Peak Temp.:255..5 , Duration:5..0.5sec. |
| 3 | 2 10   | /sec.      | 3. Cooling Speed: 2~10 /sec.              |

/ Resistance to Soldering Heat Test Conditions

270..5                      10...1 sec.                      Temp:270±5                      Time:10±1 sec

/ Packaging SPEC.

/ BULK

Package Type	Units					Dimension (unit mm3)		
	Units/Bag /	Bags/Inner Box /	Units/Inner Box /	Inner Boxes/Outer Box /	Units/Outer Box /	Bag	Inner Box	Outer Box
TO-92	1,000	10	10,000	5	50,000	135×190	237×172×102	560×245×195
	1,000	10	10,000	10	100,000	135×190	237×172×102	560×245×375

/ AMMO

Package Type	Units					Dimension (unit mm3)	
	Units/tape /	Tape/Inner Box /	Rows/Inner Box /	Inner Boxes/Outer Box /	Units/Outer Box /	Inner Box	Outer Box
TO-92	3,000	1	120	10	30,000	328×230×42	480×346×235 547×407×268

/ Notices