

# BC636

Rev.E Mar.-2016

## / Descriptions

TO-92          PNP          Silicon PNP transistor in a TO-92 Plastic Package.

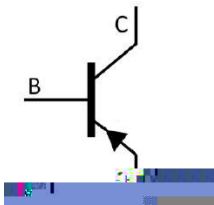
## / Features

High current, Low voltage.

## / Applications

Driver stages of audio or video amplifiers applications.

## / Equivalent Circuit



## / Pinning



PIN1 Base          PIN 2 Collector          PIN 3 Emitter

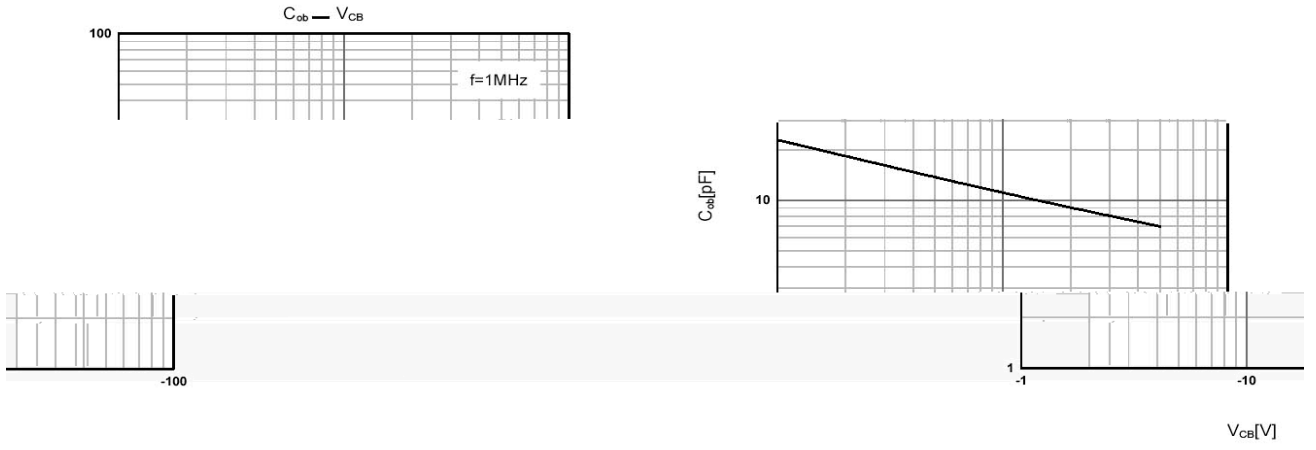
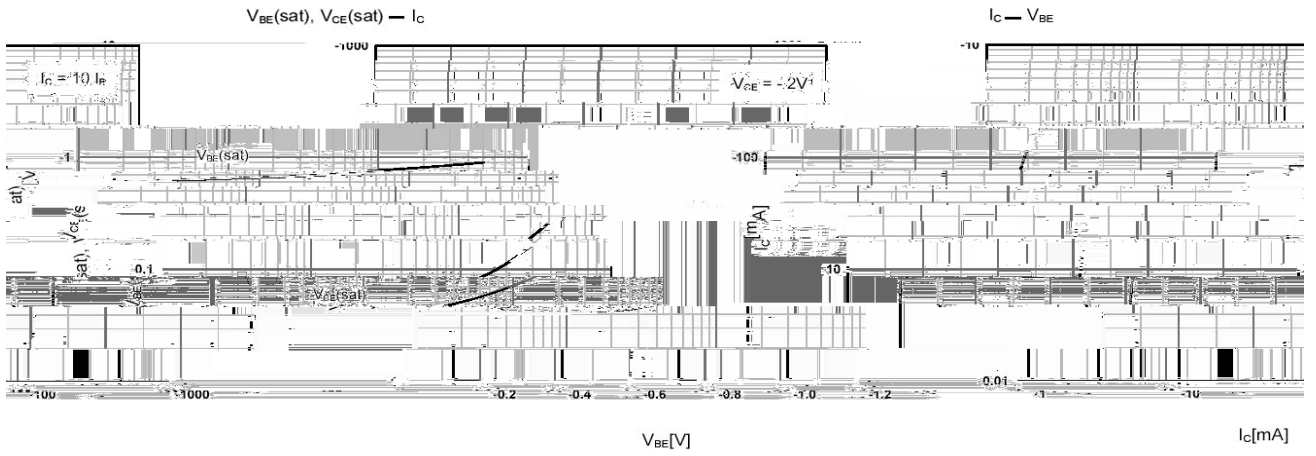
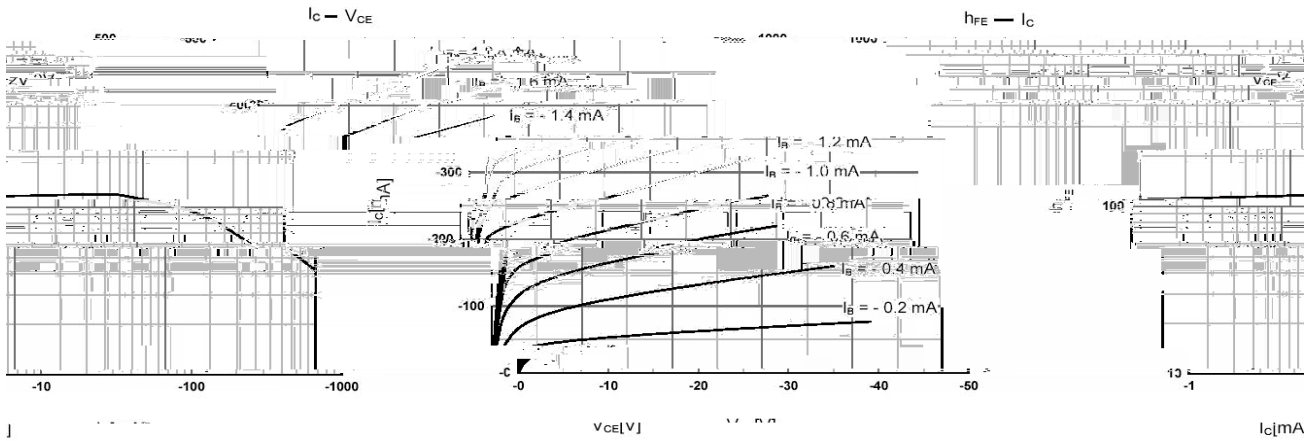
## / hFE Classifications & Marking

h <sub>FE</sub> Classifications Symbol	10	16
h <sub>FE</sub> Range	63~160	100~250

Parameter	Symbol	Rating	Unit
Collector to Base Voltage	$V_{CBO}$	-45	V
Collector to Emitter Voltage	$V_{CEO}$	-45	V
Emitter to Base Voltage	$V_{EBO}$	-5	V
Collector Current - Continuous	$I_C$	-1	A
Peak Collector Current	$I_{CM}$	-1.5	A
Peak Base Current	$I_{BM}$	-200	mA
Total Power Dissipation	$P_{tot}$	0.83	W
Junction Temperature	$T_j$	150	
Storage Temperature Range	$T_{stg}$	-55 150	

Parameter	Symbol	Test Conditions	Min	Typ	Max	Unit
Collector Cut-Off Current	$I_{CBO}$	$V_{CB}=-30V$ $I_E=0$			-0.1	$\mu A$
Emitter Cut-Off Current	$I_{EBO}$	$V_{EB}=-5.0V$ $I_C=0$			-0.1	$\mu A$
DC Current Gain	$h_{FE(1)}$	$V_{CE}=-2.0V$ $I_C=-150mA$	63		250	
	$h_{FE(2)}$	$V_{CE}=-2.0V$ $I_C=-5mA$	40			
	$h_{FE(3)}$	$V_{CE}=-2.0V$ $I_C=-500mA$	25			

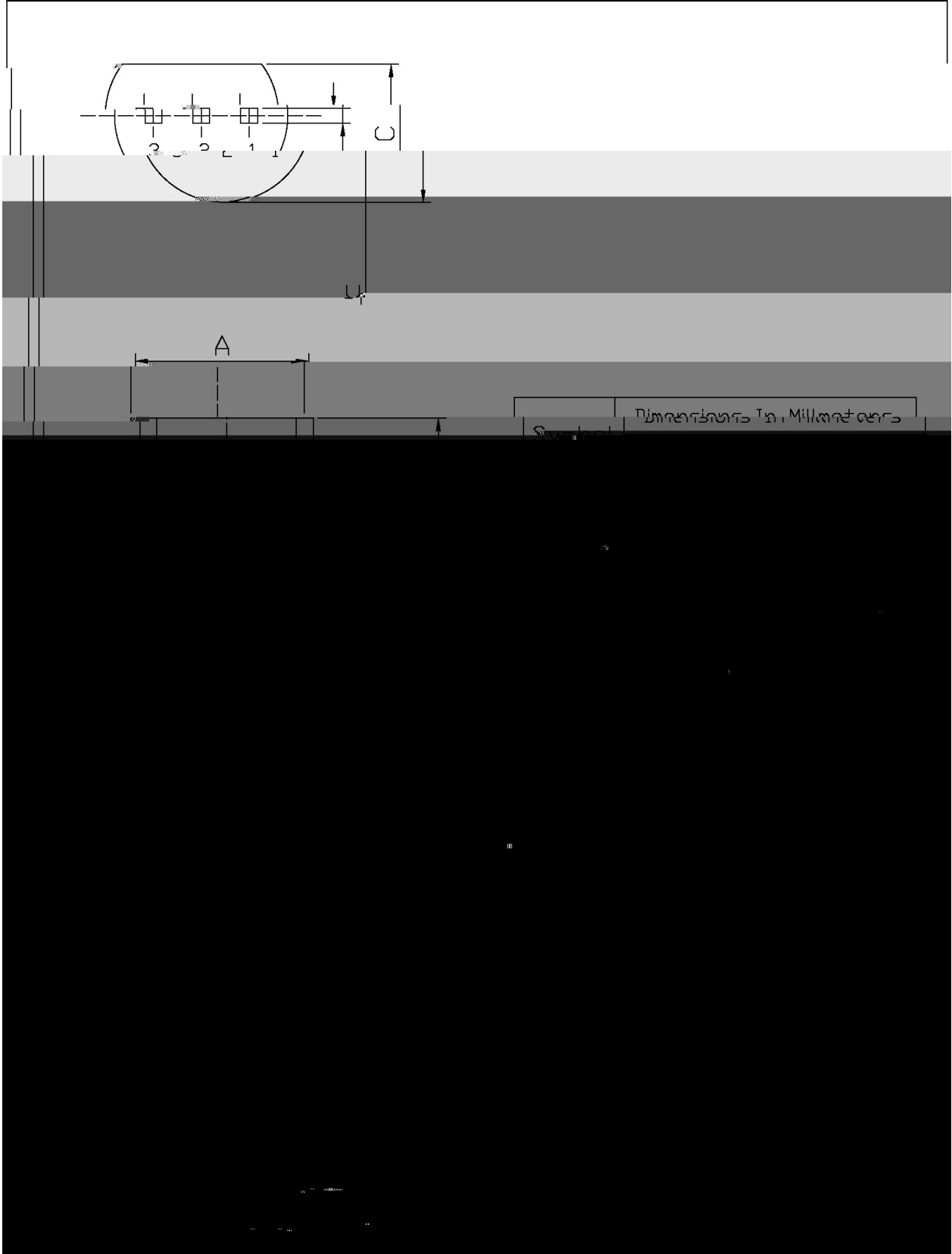
/ Electrical Characteristic Curve



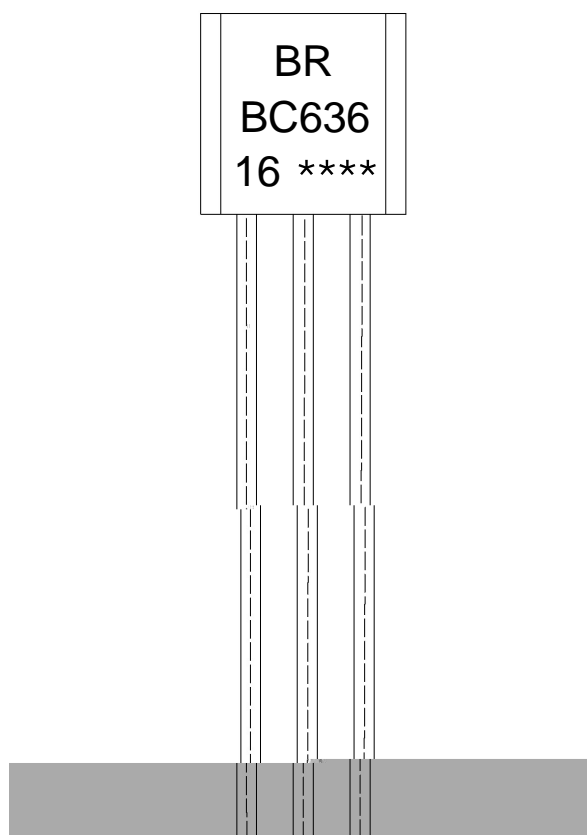
/ Package Dimensions

TO-92

Unit: mm



/ Marking Instructions



BR:

BC636

16:  $h_{FE}$

\*\*\*\*

Note:

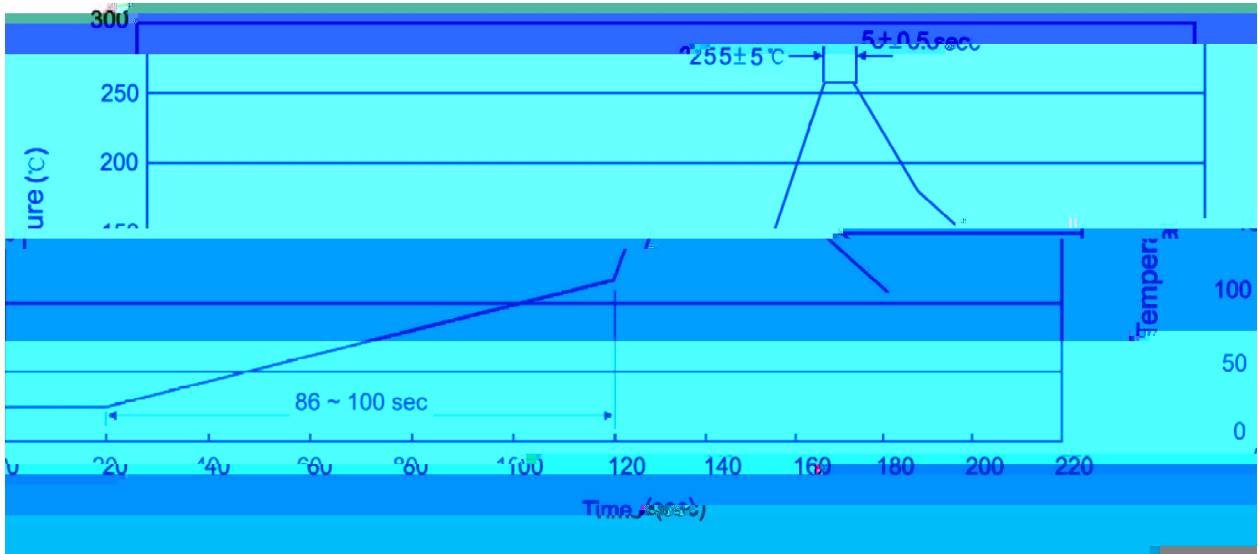
BR: Company Code.

BC636: Product Type.

16:  $h_{FE}$  Classifications Symbol

\*\*\*\*: Lot No. Code, code change with Lot No.

( ) / Temperature Profile for Dip Soldering(Pb-Free)



Note:

- |   |       |     |       |          |   |
|---|-------|-----|-------|----------|---|
| 1 | 25    | 150 | 60    | 90sec;   | 1.Preheating:25~150 , Time:60~90sec.    |
| 2 | 255±5 |     | 5±0.5 | sec;     | 2.Peak Temp.:255±5 , Duration:5±0.5sec. |
| 3 |       |     | 2     | 10 /sec. | 3. Cooling Speed: 2~10 /sec.            |

/ Resistance to Soldering Heat Test Conditions

270±5                      10±1 sec.                      Temp:270±5                      Time:10±1 sec

/ Packaging SPEC.

/ BULK

Package Type	Units				Dimension	(unit mm3)
	Units/Bag	Bags/Inner Box	Units/Inner Box			