

Rev.E Jan.-2022



Rev.E Jan.-2022

TO-92

Precision adjustable shunt regulator in a TO-92 Plastic Package.

2.50

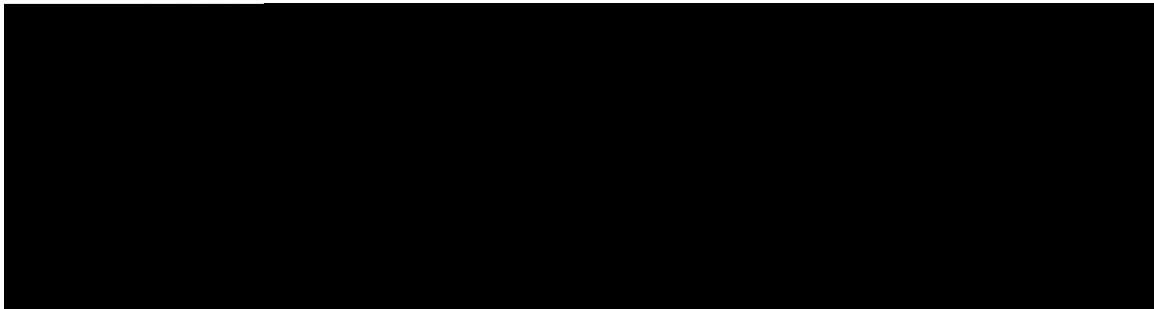
3□

-

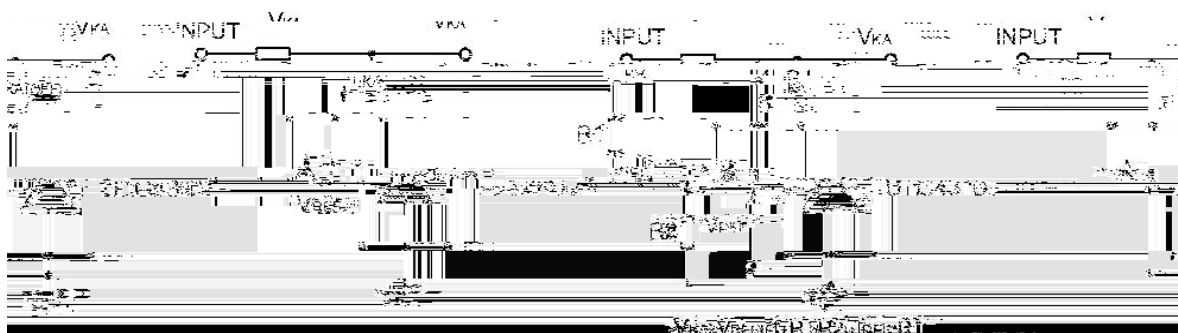
Rev.E Jan.-2022



BLOCK DIAGRAM:



TEST CIRCUITS:

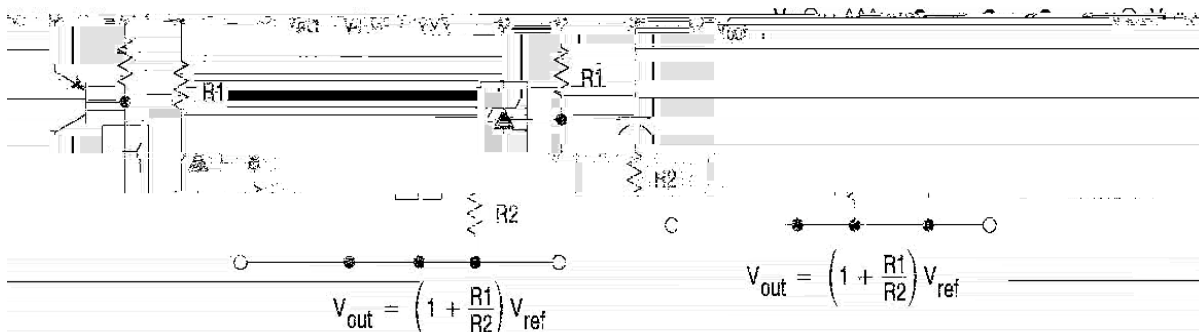


Test Circuit For VKA=VREF

Test Circuit for VKA VREF

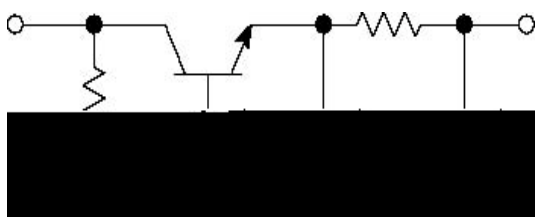
Test Circuit For IKA(OFF)

TYPICAL APPLICATION:

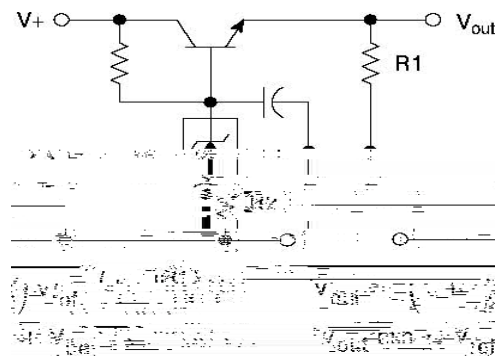


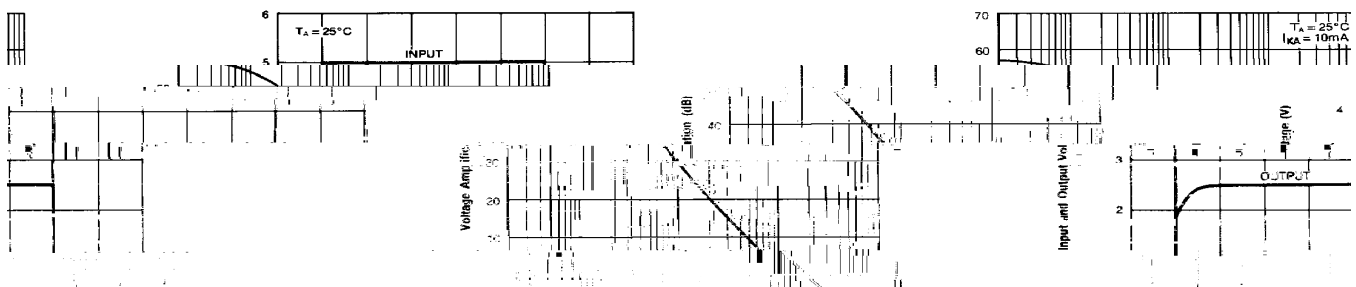
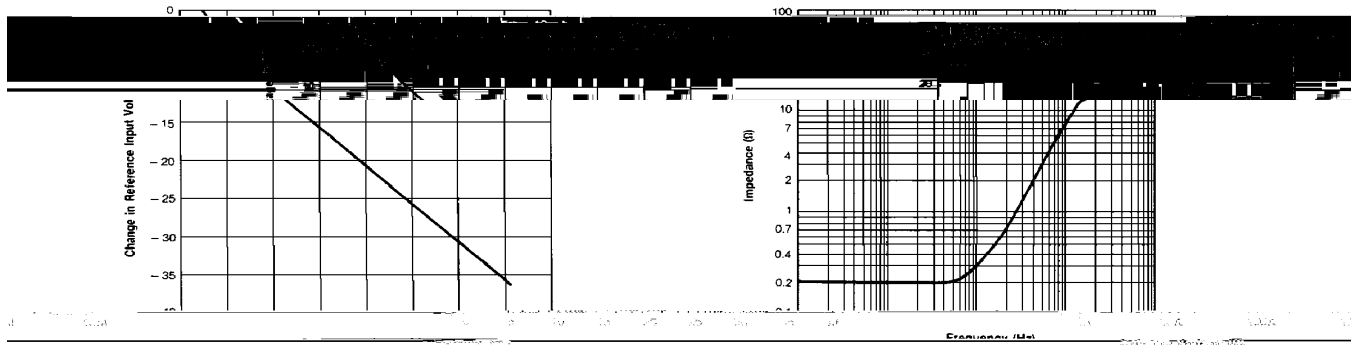
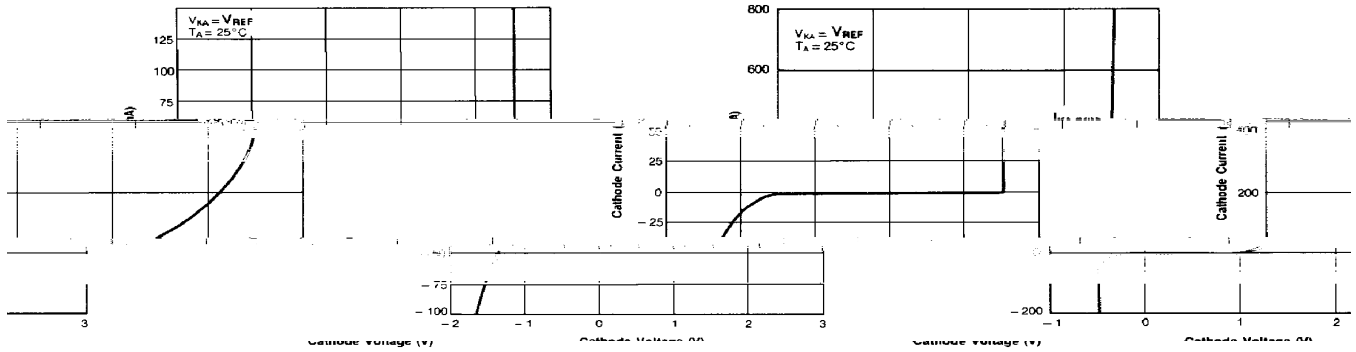
Shutdown Regulator

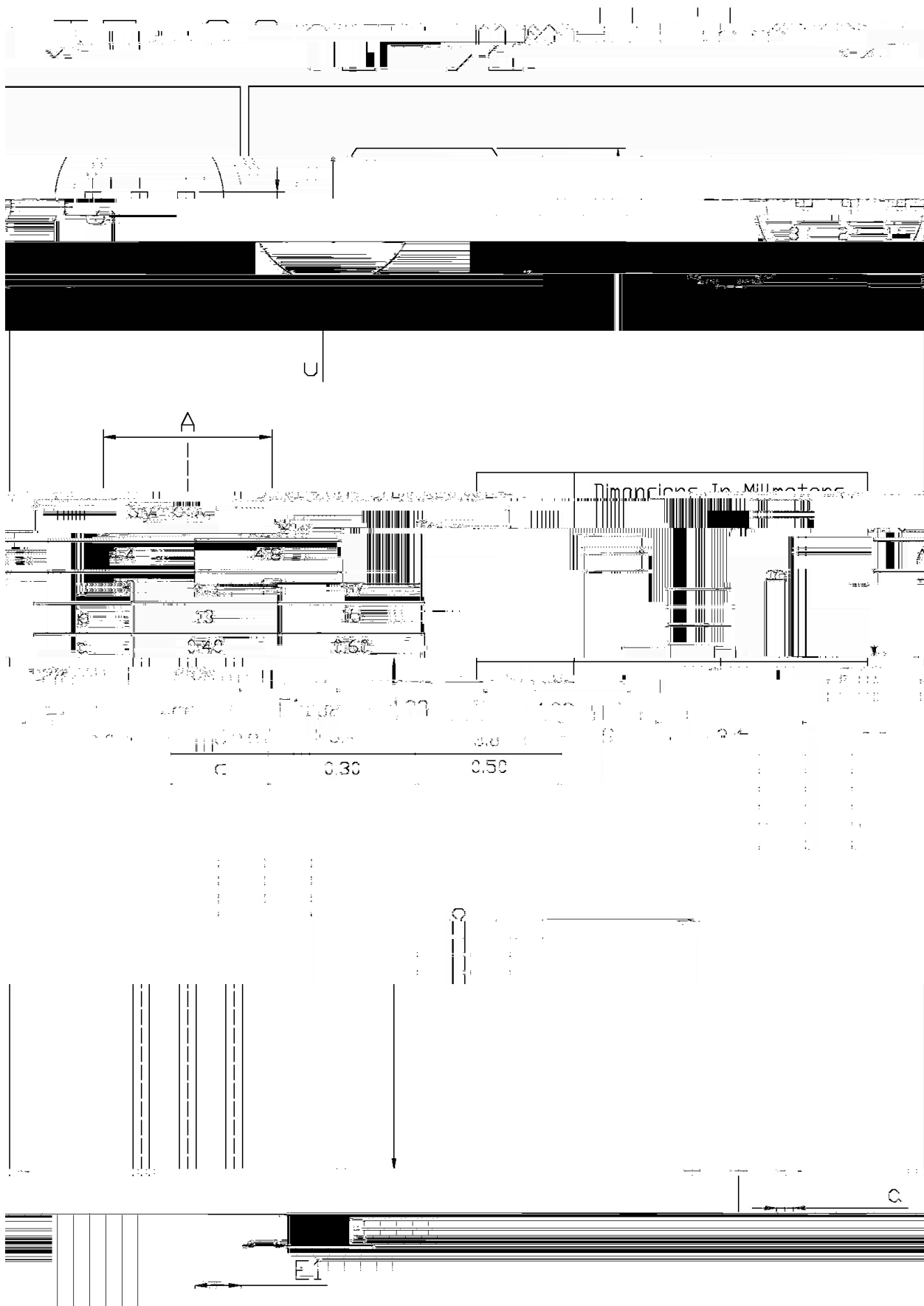
Higher-current Shunt

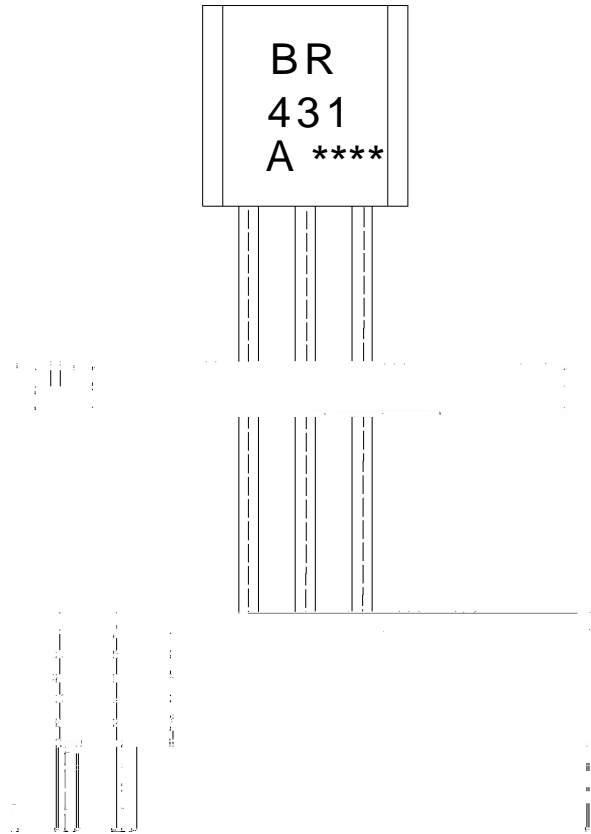


Constant Current Source









说明：

BR： 为公司代码

431： 为型号代码

A： 为  $V_{REF}$  分档代码

\*\*\*\*： 为生产批号代码，随生产批号变化

Note:

BR: Company Code.

431: Product Type Code.

A:  $V_{REF}$  Classifications Symbol

\*\*\*\*: Lot No. Code, code change with Lot No

