

**BR431RM**

JFK\$ \*

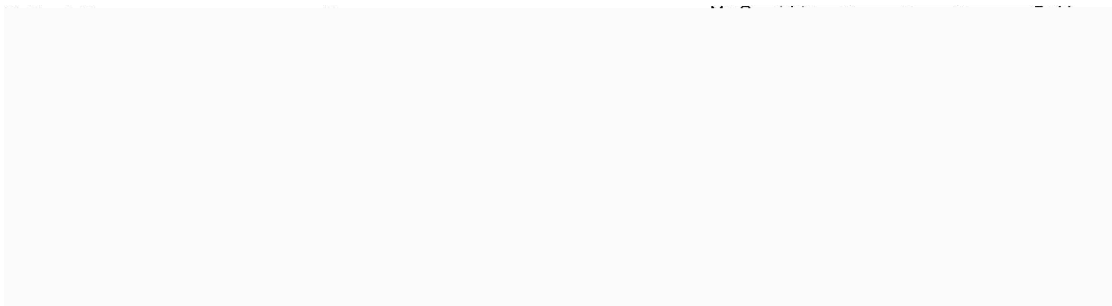
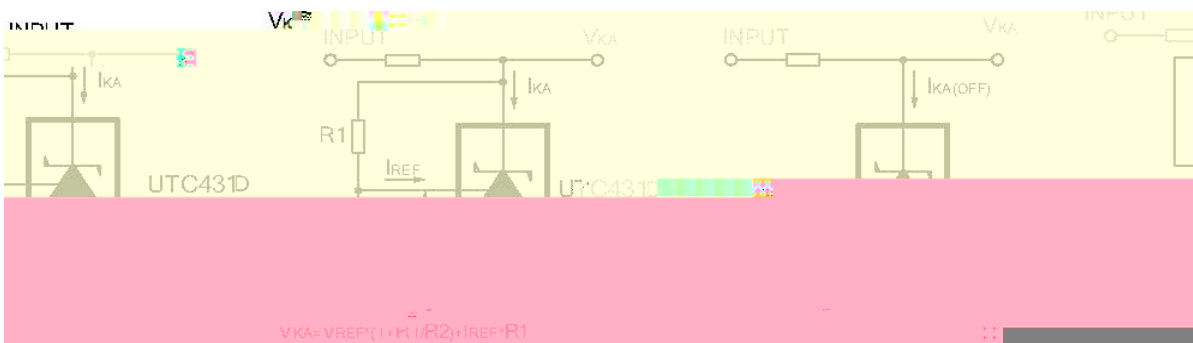
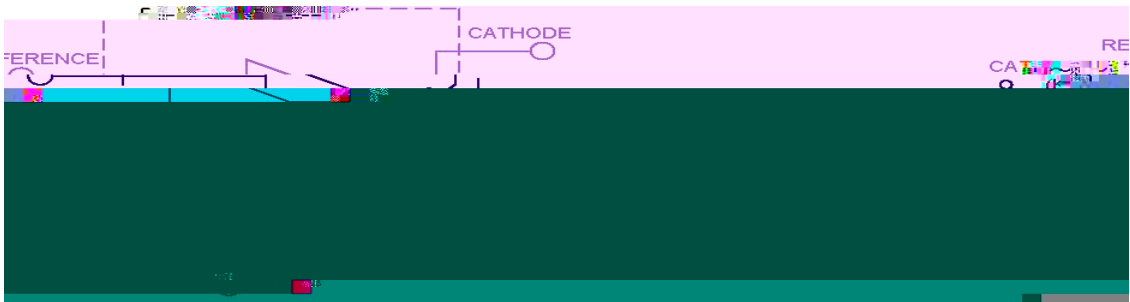
**/ Absolute Maximum Ratings(Ta=25 )**


**/ Electrical Characteristics(Ta=25 )**

						μ
						μ
						μ



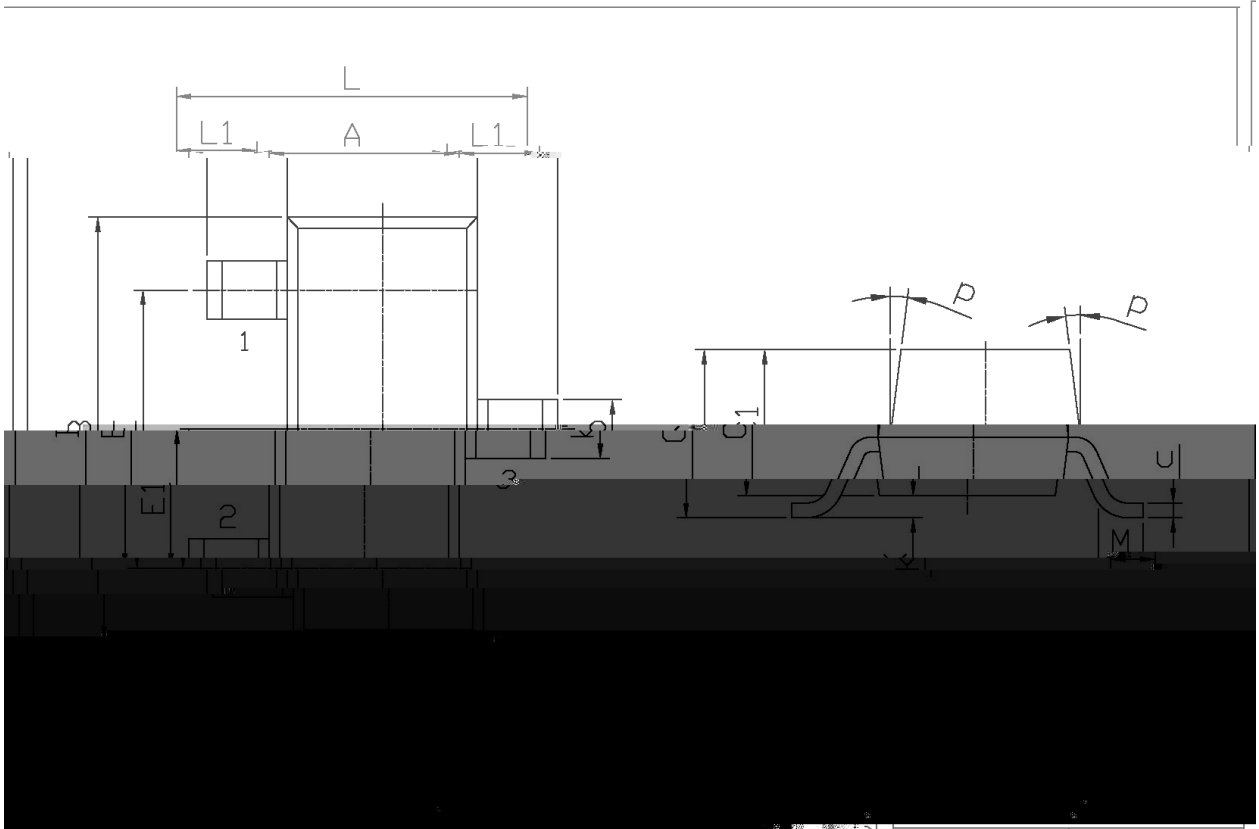
& Test circuits&Typical Application



/ Package Dimensions

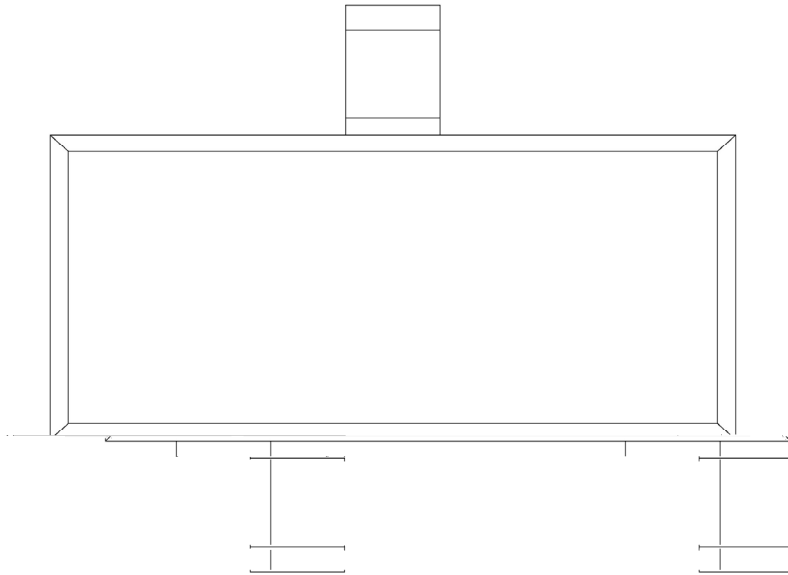
SOT-23

单位: mm



Symbol	Min	Max	Symbol	Min	Max
L	2.2	2.7	C	1.30Max	
L1	0.45	0.65	D	0.20	0.20
A	1.15	1.50	K	0	0.10
B	2.70	3.10	M	0.20MIN	
E	1.70	2.10	P	7°	
F1	0.85	1.05	U	0.20	

/ Marking Instructions



9| .....  
+\*( .....  
| 1 ..... 9| +\*(D | B

**BR431RM**