

~ · ° / **Revised record**

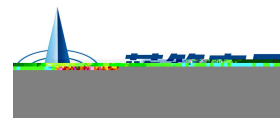
A	2022-7-18	All	All		

BRCO7333MC

Rev.A Jul.-

BRC07333MC

Rev.A Jul.-2022



DATA SHEET

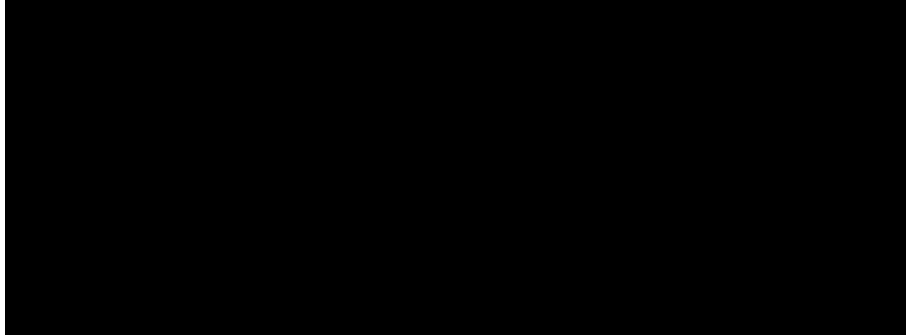
Parameter

R

Parameter	Symbol	Rating	Unit
Working Voltage	V_{IN}	-0.3~+20	V
Thermal Resistance	R_{JA}	500	$^{\circ}C/W$
Power Consumption	P_D	200	mW
Storage Temperature	T_{STG}	-50~+125	$^{\circ}C$
Working Temperature	T_A	-40~+85	$^{\circ}C$

1 2 3 † \$ % / Typical Application Circuit

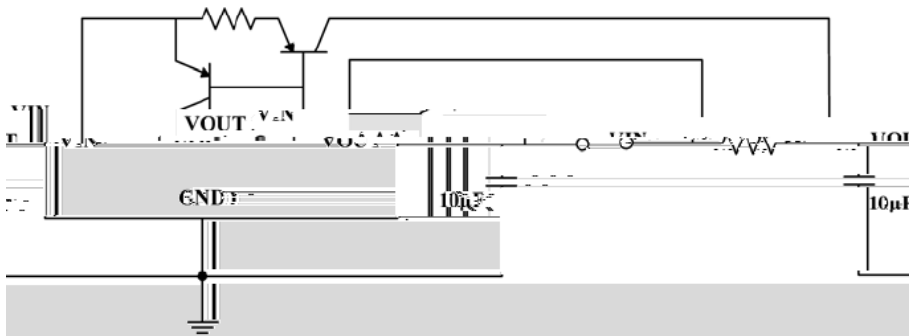
/ Basic Application



/ High Output Current Voltage Regulator

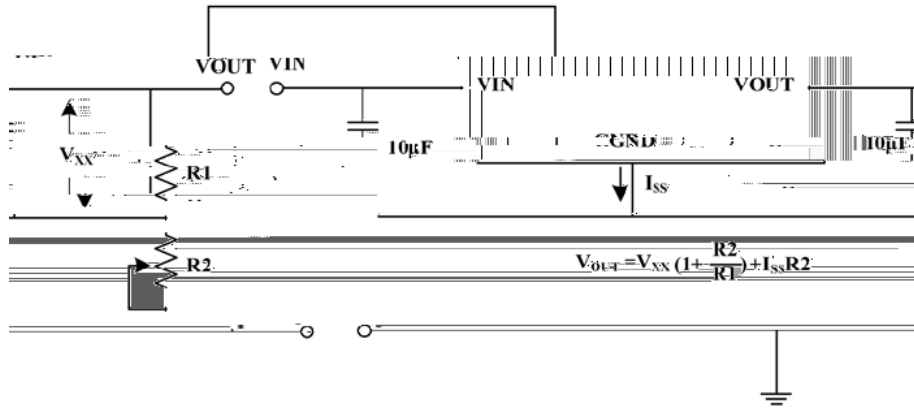


/ Short-Circuit Protection

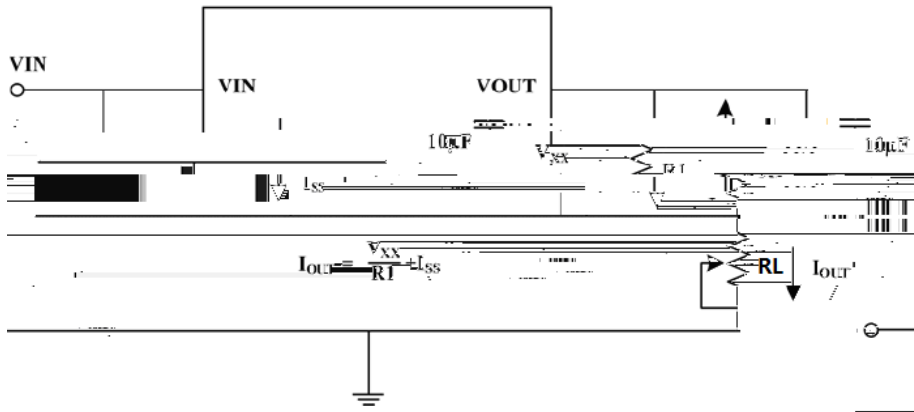


1 2 3 † \$ % / Typical Application Circuit

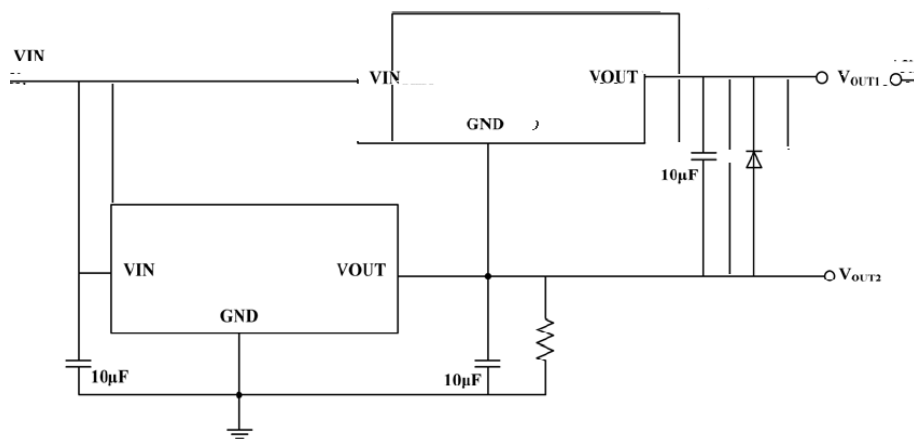
/ Circuit for Increasing Output Voltage



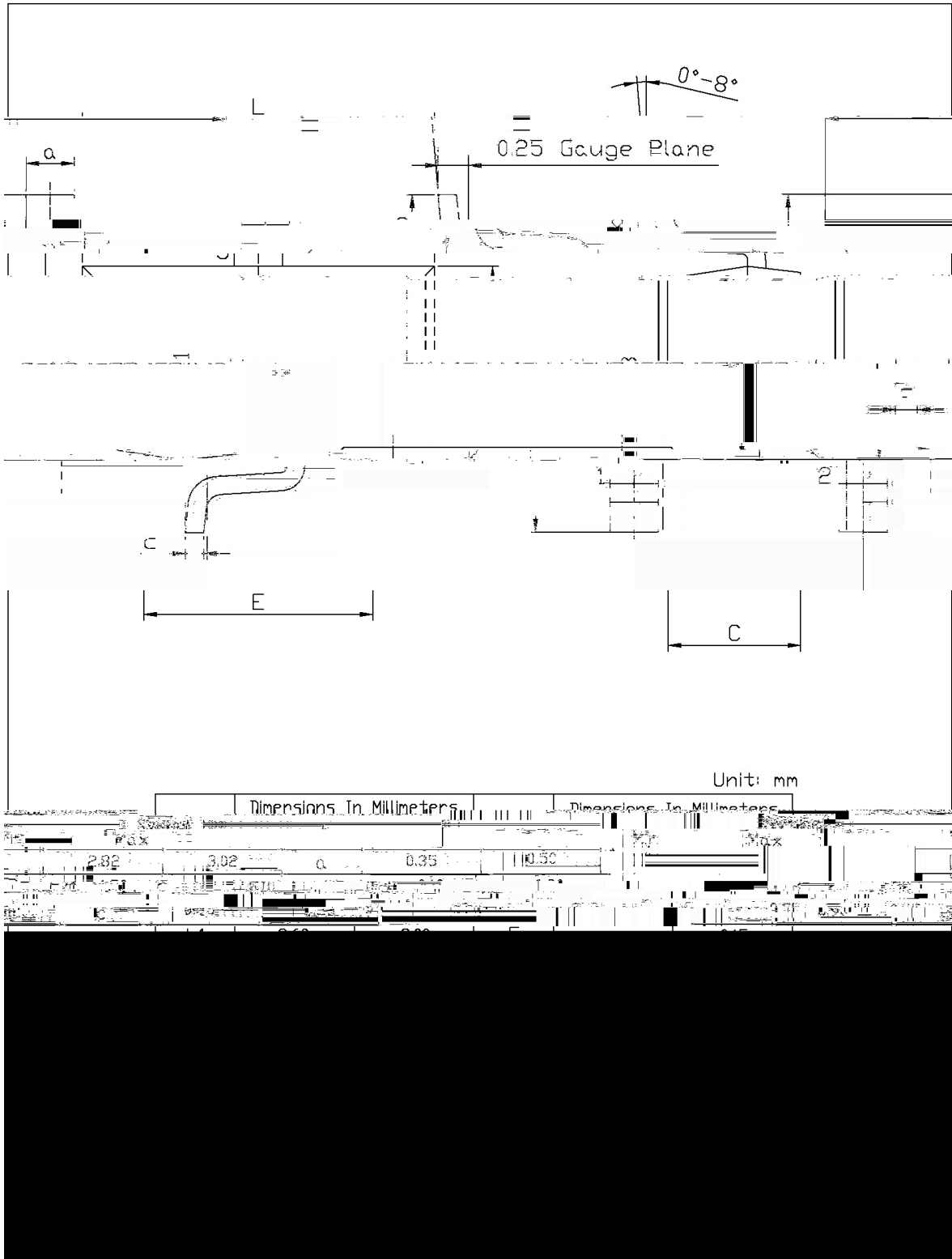
/ Constant Current Regulator

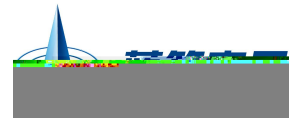


/ Double Output Circuit



4 5 6 7 8 / Package Dimensions





; < = > ? @ A 8 (B C) / DEF GEH JKHEILMNO P Q R S I SECT LUNV E H W X Y Z [\ HEE]

Note:

- | | | | |
|---|---------|-----------|--|
| 1 | 150 180 | 60 90sec; | 1.Preheating:150~180°C, Time:60~90sec. |
| 2 | 245±5 | 5±0.5sec; | 2.Peak Temp.:245±5°C, Duration:5±0.5sec. |
| 3 | 2 | 10°C/sec. | 3. Cooling Speed: 2~10°C/sec. |

^ = _ ` a b c d / Resistance to Soldering Heat Test Conditions

260±5°C 10±1 sec. Temp.:260±5°C Time:10±1 sec

e f g h / Packaging SPEC.

/ REEL

Package Type	Units					Dimension (unit mm ³)		
	Units/Reel 只/卷盘	Reels/Inner Box 卷盘/盒	Units/Inner Box 只/盒	Inner Boxes/Outer Box 盒/箱	Units/Outer Box 只/箱	Reel	Inner Box 盒	Outer Box 箱
SOT23-3	3,000	10	30,000	4	120,000	7" × 8	210× 205× 205	445× 230× 235