



///#// fi\$'\*)&12&+/'//

SOT23-3

Low dropout linear regulator in a SOT23-3 Plastic Package .

///#// 3\$-24)\$'//

30V

2.5μA

± 2%

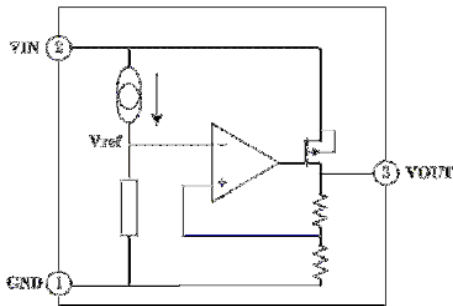
Low power consumption,Low voltage drop,Small temperature drift coefficient,High input voltage up to 30V,The static current 2.5μA,The output voltage accuracy:± 2%.HF Product.

/

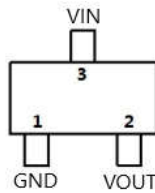
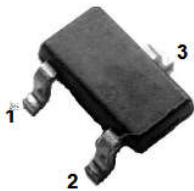
///#// fi115&\* -2&+/'//

For use in power equipment,Communication equipment,Audio and video equipment.

///#// ž64&%-5\$/2/' &)\*4&2/



///#// 7&1/1&/0/



1	GND		3	VIN	
2	VOUT				

///#// 1-).&/0/

/ See Marking Instructions.

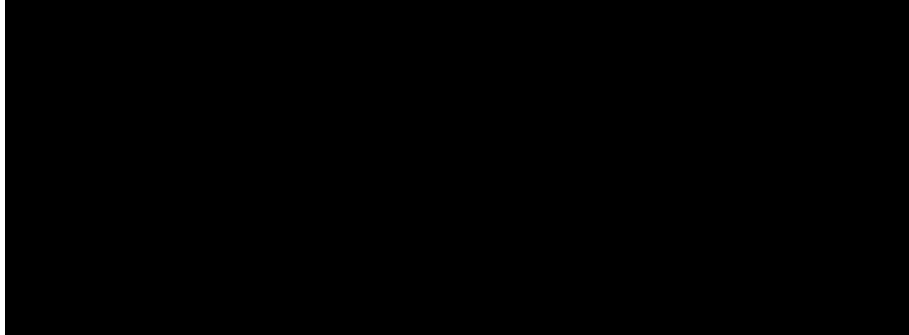
/

Parameter	Symbol	Rating	Unit
Working Voltage	$V_{IN}$	-0.3~33	V
Thermal Resistance	$R_{JA}$	250	$^{\circ}C/W$
Power Consumption	P		



//#//LA1&\* -5/f1115&\* -2&+ // ' &)\* 4&2/

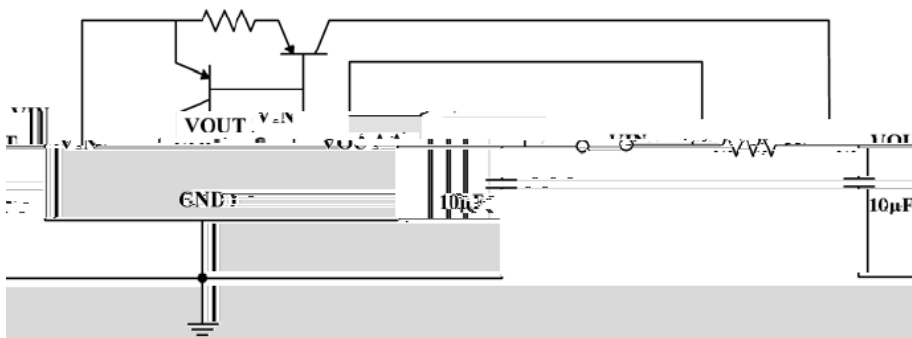
/ Basic Application



/ High Output Current Voltage Regulator



/ Short-Circuit Protection



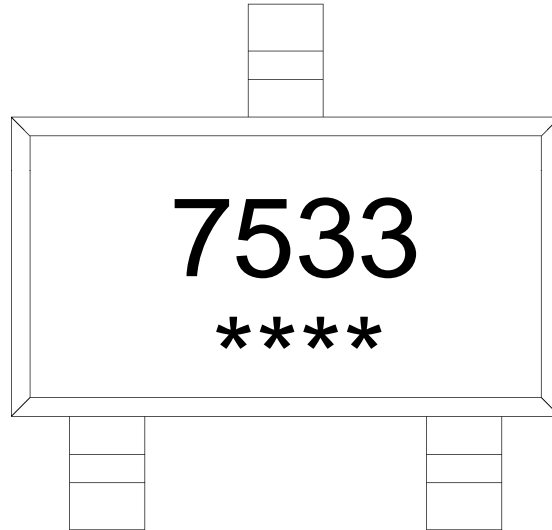


Rev.B Apr.-2021



// #

//##/ 1 -).&/0C/'2)4\*2&+/'/'



7533

\*\*\*\*

Note:

7533: Product Type.

\*\*\*\*: Lot No. Code, code change with Lot No.

