

~	° " ' / fi fl	° " Ł ł / Ž ž	! " ' .	# \$ %
%	& ' () * ((
+	& ' & ' *	(, - . / 0 1 2 3 4	5 6 7

; & ' & (* < * ()

/ Descriptions

YZ [* \] ^ _ _ ` ` a M b c d e M f g ` .
Low dropout linear regulator in a SOT-89 Plastic Package .

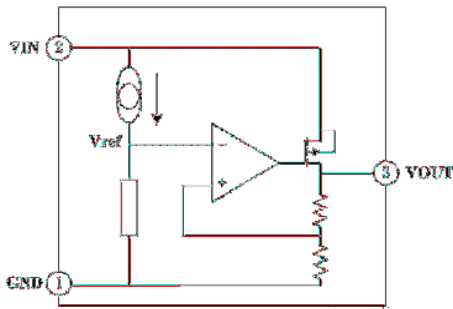
/ Features

a h i = a M b = j O k l m A 6 = n J o L M p q Q r = s t L u & y) w x = J K L M N O y z & R g
1 2 { | g ` .
Low power consumption, Low voltage drop, Small temperature drift coefficient, High input voltage up to 30V, The static current 2.5mA, The output voltage accuracy ± 0.1%. HF Product.

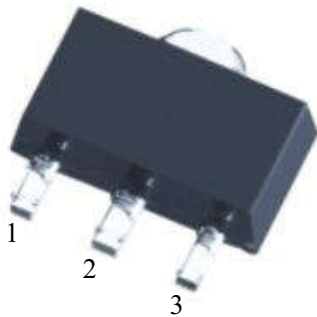
/ Applications

~ € , f L „ ... † = ‡ ^ ... † = % d Š < Ć Š ... † g ` .
For use in power equipment, Communication equipment, Audio and video equipment.

/ Equivalent Circuit



/ Pinning



PIN 1y GND PIN 2y VIN PIN 3y VOUT

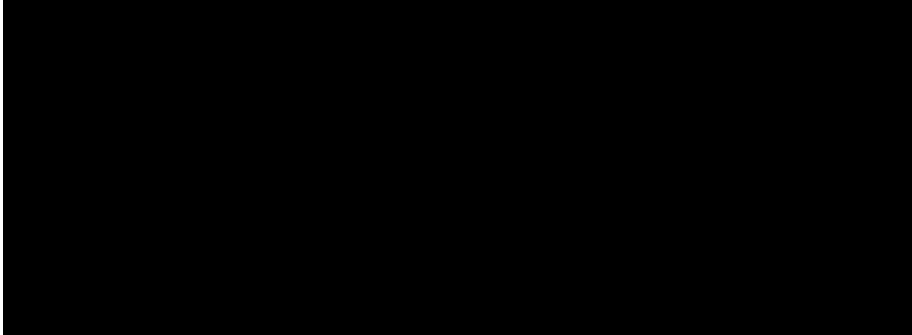
/ Marking

“ ” “ ” • “ ” “ ” See Marking Instructions.

	@ A Parameter	— Symbol	A™ Rating	Š › Unit
Worki				

/ Typical Application Circuit

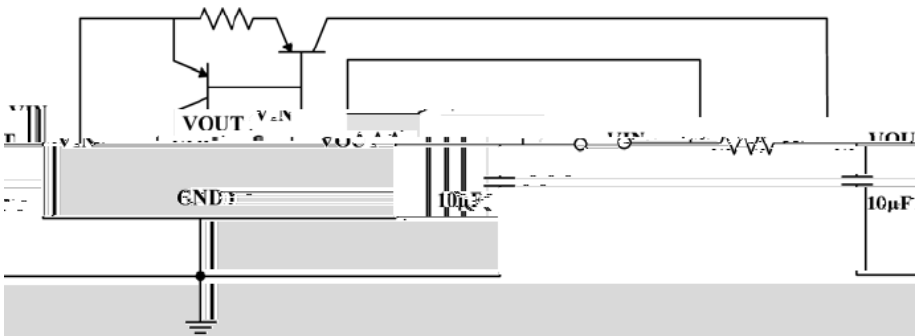
Y ~ P ~ / Basic Application



J K « L u L MS B f / High Output Current Voltage Regulator

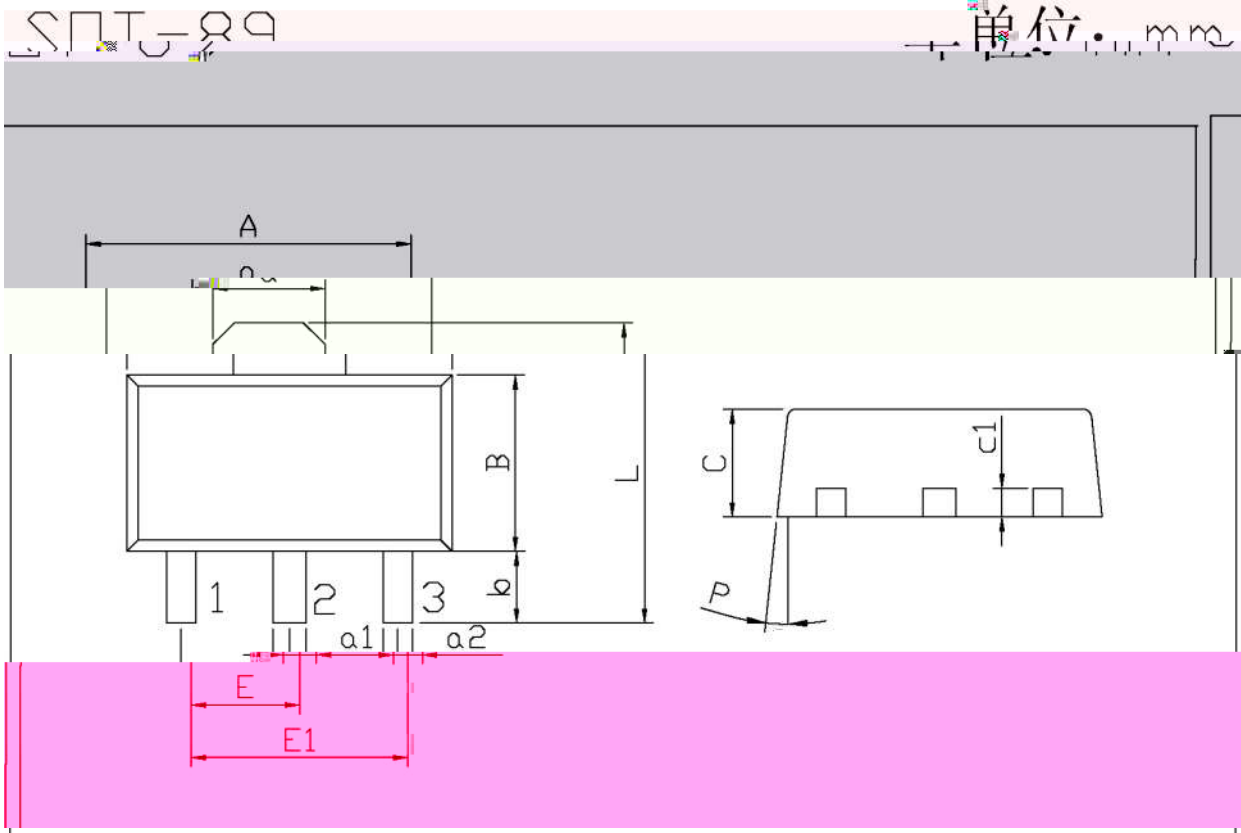


à á â ã P ~ / Short-Circuit Protection



BRCO7550T
Rev.F Apr.-2021

/ Package Dimensions



Symbol	Dimensions In Millimeters		Symbol	Dimensions In Millimeters	
	Min	Max		Min	Max
A	4.4	4.7	a1	0.36	0.56

a	1.45	1.65	c1	0.35	0.50
b	1.40	1.60	e	6'	
E1	2.80	3.20			
φ	0.80	1.20			

/ Marking Instructions

" • y

7550y U Ô ~ à fl

ay U ç { è ~ à fl = é ç { è ~ ê ë g

Note:U

BRCO7550T