



**/ Absolute Maximum Ratings(Ta=25 )**

| Parameter  | Symbol         | Rating  | Unit |
|--|----------------|---------|------|
| Maximum Repetitive Peak Reverse Voltage  | $V_{RRM}$      | 1000    | V    |
| Maximum RMS Voltage  | $V_{RMS}$      | 700     | V    |
| Maximum DC Blocking Voltage  | $V_{DC}$       | 1000    | V    |
| Average Rectified Output Current at $T_c = 125$                                    | $I_o$          | 1.5     | A    |
| Peak Forward Surge Current 8.3 ms Single Half Sine Wave Superimposed on Rated Load | $I_{FSM}$      | 50      | A    |
| Typical Junction Capacitance <sup>Note1</sup>                                      | $C_j$          | 35      | pF   |
| Typical Thermal Resistance <sup>Note2</sup>  | $R_{JA}$       | 70      | /W   |
| Operating and Storage Temperature Range  | $T_j, T_{stg}$ | -55~150 |      |

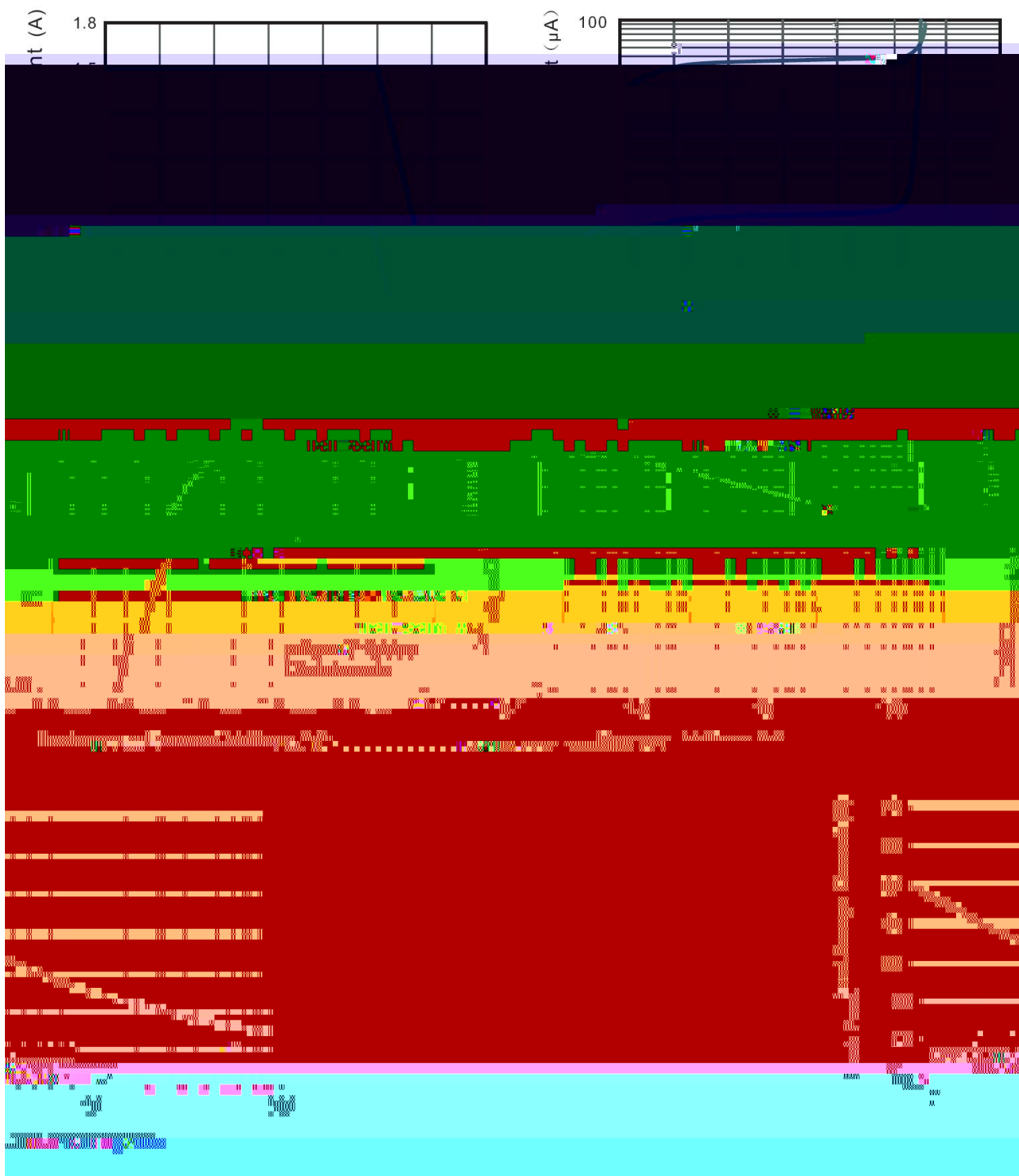
Note:

- 1.Measured at 1MHz and applied reverse voltage of 4 V D.C.
2. Mounted on glass epoxy PC board with 4× 1.0" X 1.0" (2.54 X 2.54 cm) copper pad.

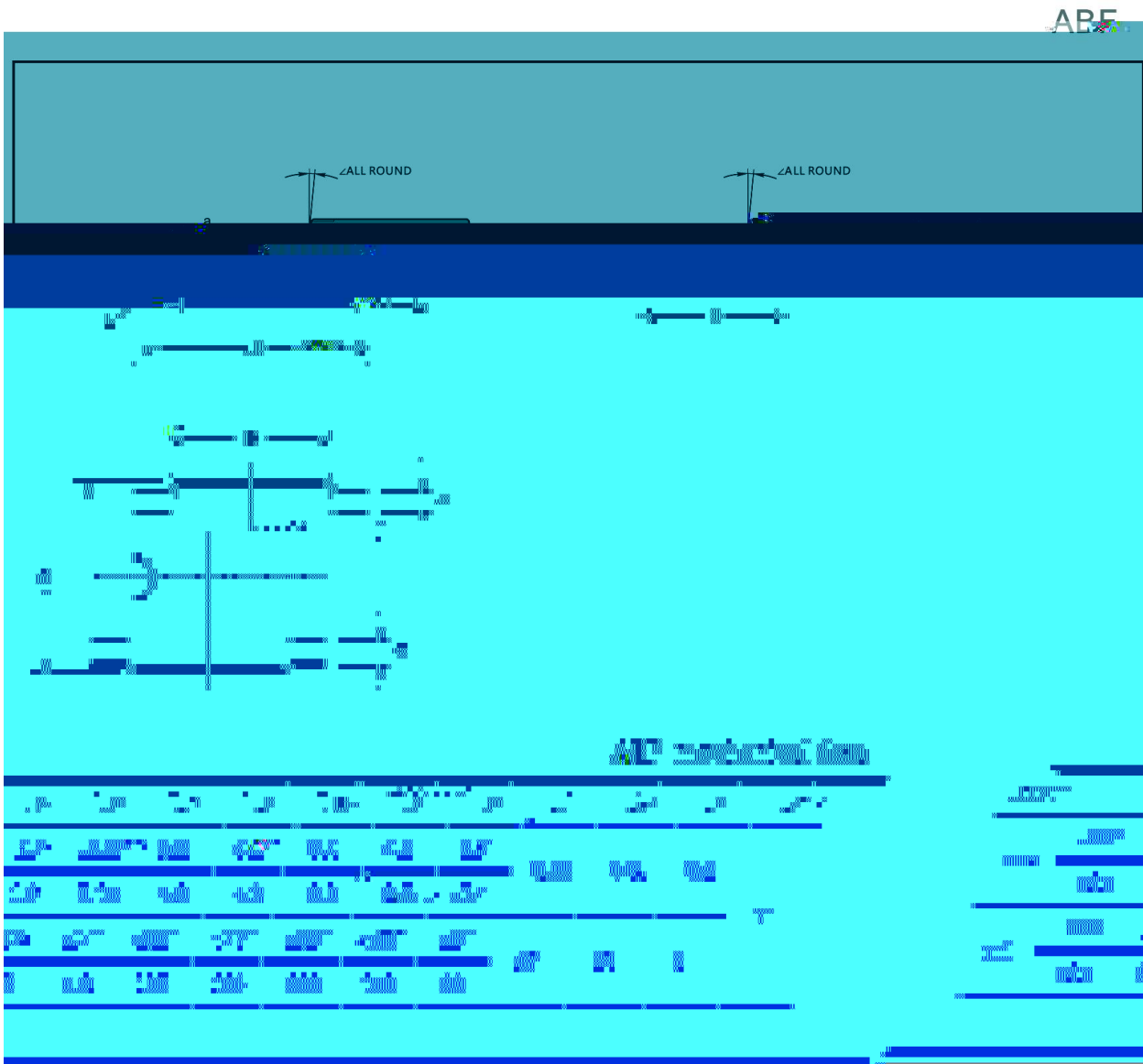
**/ Electrical Characteristics(Ta=25 )**

| Parameter   | Symbol   | Test Conditions                         | Rating | Unit |
|---|----------|---|--------|------|
| Forward Voltage per element                               | $V_F$    | $I_F=1.5A$                              | 1.3    | V    |
| Maximum DC Reverse Current at Maximum DC Blocking Voltage | $I_R$    | $T_a=25$                                | 5.0    | A    |
|   |          | $T_a=125$                               | 50     | A    |
| Maximum Reverse Recovery Time                             | $t_{rr}$ | $I_F=0.5A$ $I_R=1.0A$<br>$I_{rr}=0.25A$ | 200    | ns   |

/ Electrical Characteristic Curve



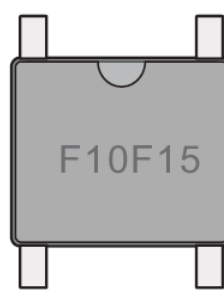
/ Package Dimensions



/ Marking Instructions

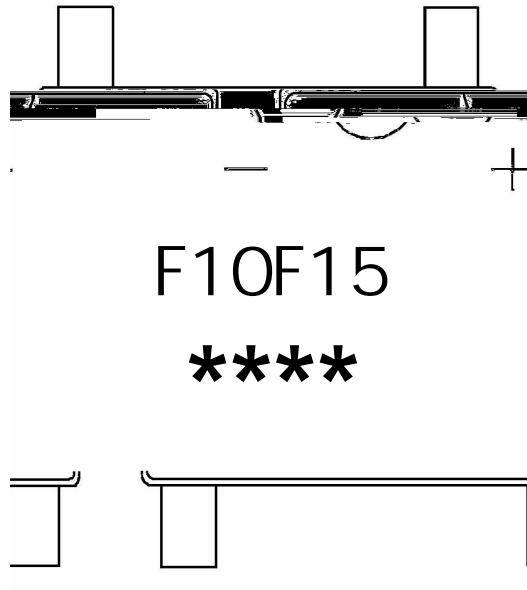
## Marking

| Type number | Marking code |
|-------------|--------------|
| FTB10F-15   | F10F15       |

The diagram shows a rectangular component with four pins (two on top, two on bottom). The marking code 'F10F15' is printed on the front face of the component.

/ Marking Instructions



F10F15

\*\*\*\*

1 \*

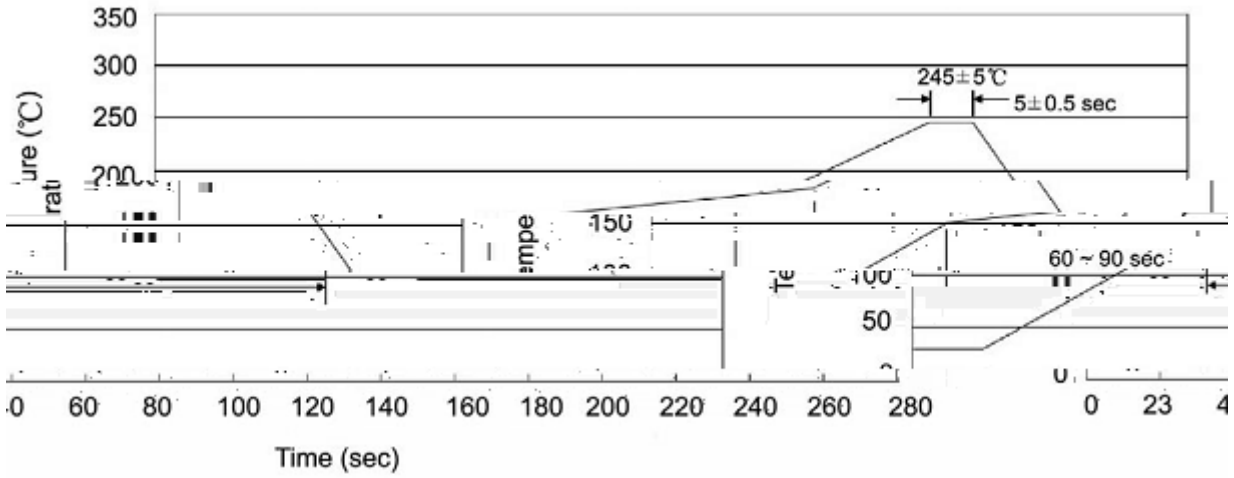
3 \*

Note:

F10F15 Product Type Code

\*\*\*\* Lot No. Code The 1st \* means:YM Code The last 3 \* means:little Lot  
No Code

( ) / Temperature Profile for IR Reflow Soldering (Pb-Free)



Note:

- |   |       |     |       |        |  |
|---|-------|-----|-------|--------|--|
| 1 | 25    | 150 | 60    | 90sec; | 1. Preheating: 25~150 , Time: 60~90sec.    |
| 2 | 245±5 |     | 5±0.5 | sec;   | 2. Peak Temp.: 245±5 , Duration: 5±0.5sec. |
| 3 |       | 2   | 10    | /sec.  | 3. Cooling Speed: 2~10 /sec.               |

/ Resistance to Soldering Heat Test Conditions

260±5                      10±1 sec.                      Temp.: 260±5                      Time: 10±1 sec

/ Packaging SPEC.

/ REEL

| Package Type<br>封装形式 | Units 包装数量         |                         |                        |                              |                        | Dimension 包装尺寸 (unit: mm <sup>3</sup> ) |             |             |
|----------------------|--------------------|-------------------------|------------------------|------------------------------|------------------------|---|-------------|-------------|
|                      | Units/Reel<br>只/卷盘 | Reels/Inner Box<br>卷盘/盒 | Units/Inner Box<br>只/盒 | Inner Boxes/Outer Box<br>盒/箱 | Units/Outer Box<br>只/箱 | Reel                                    | Inner Box 盒 | Outer Box 箱 |
| ABF                  | 5000               | 2                       | 10000                  | 5                            | 50000                  | 13 x15                                  | 336X336X40  | 380X335X366 |

/ Notices