





Rating	Unit
-80	V
-60	V
-8.0	V
-700	mA
1.0	W
150	
-55 150	

	Min	Typ	Max	Unit
	-80			V
	-60			V
	-8.0			V
			0.1	$\mu$ A

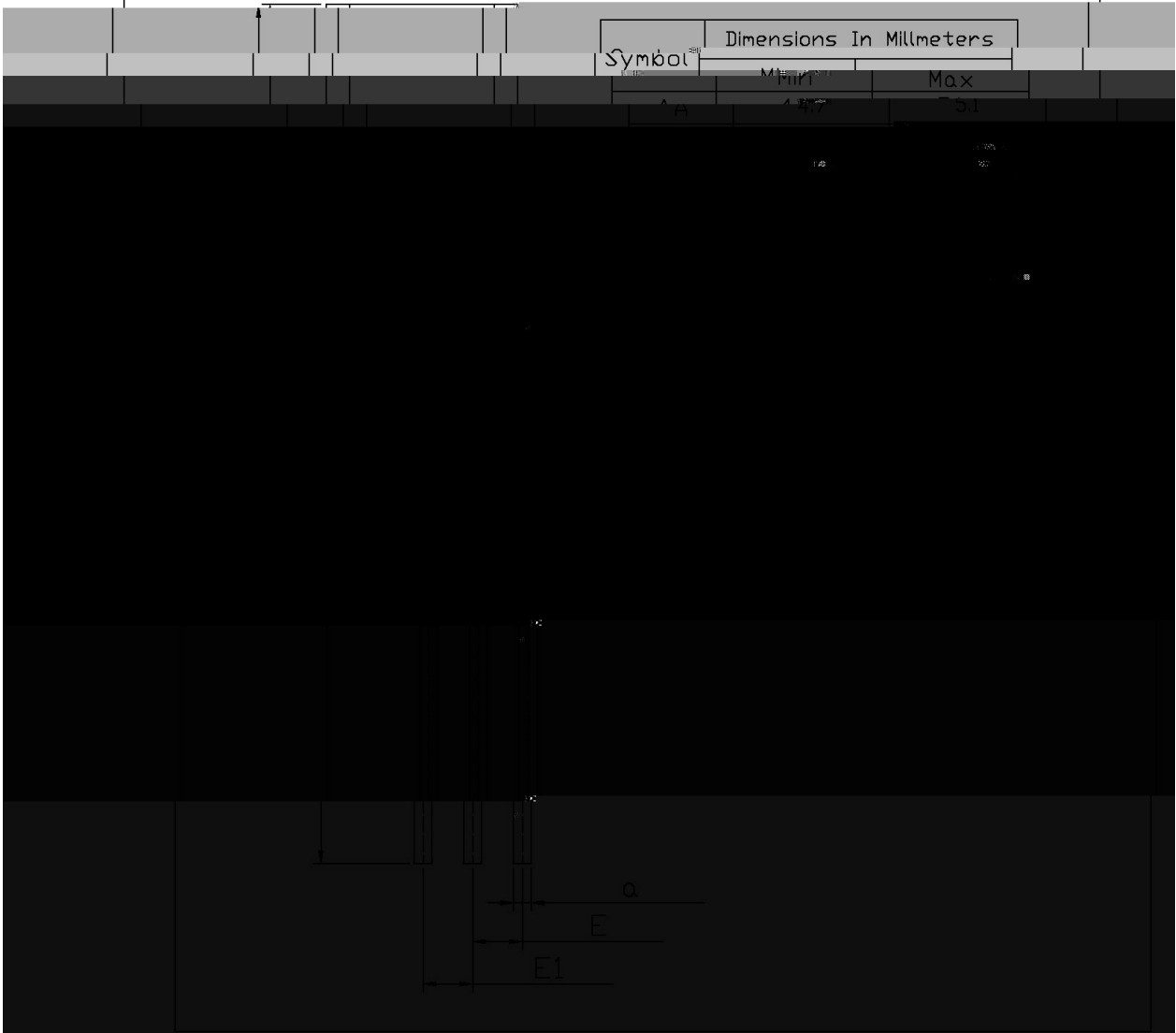
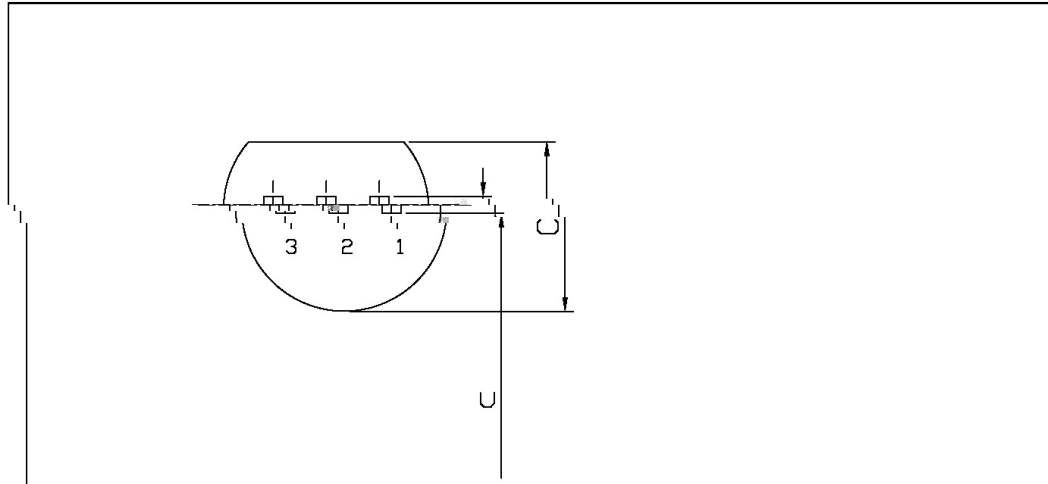
Doc 0160549Tcc

**/ Electrical Characteristic Curve**

**/ Package Dimensions**

TO-92LM

Unit: mm



/ Marking Instructions



BR:

A931

R:  $h_{FE}$

\*\*\*\*

Note:

BR: Company Code.

A931: Product Type.

R:  $h_{FE}$  Classifications Symbol

\*\*\*\*: Lot No. Code,code change with Lot No.

