

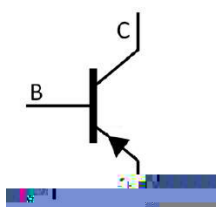
# KSB1116(A)

KF \$0)

GE G

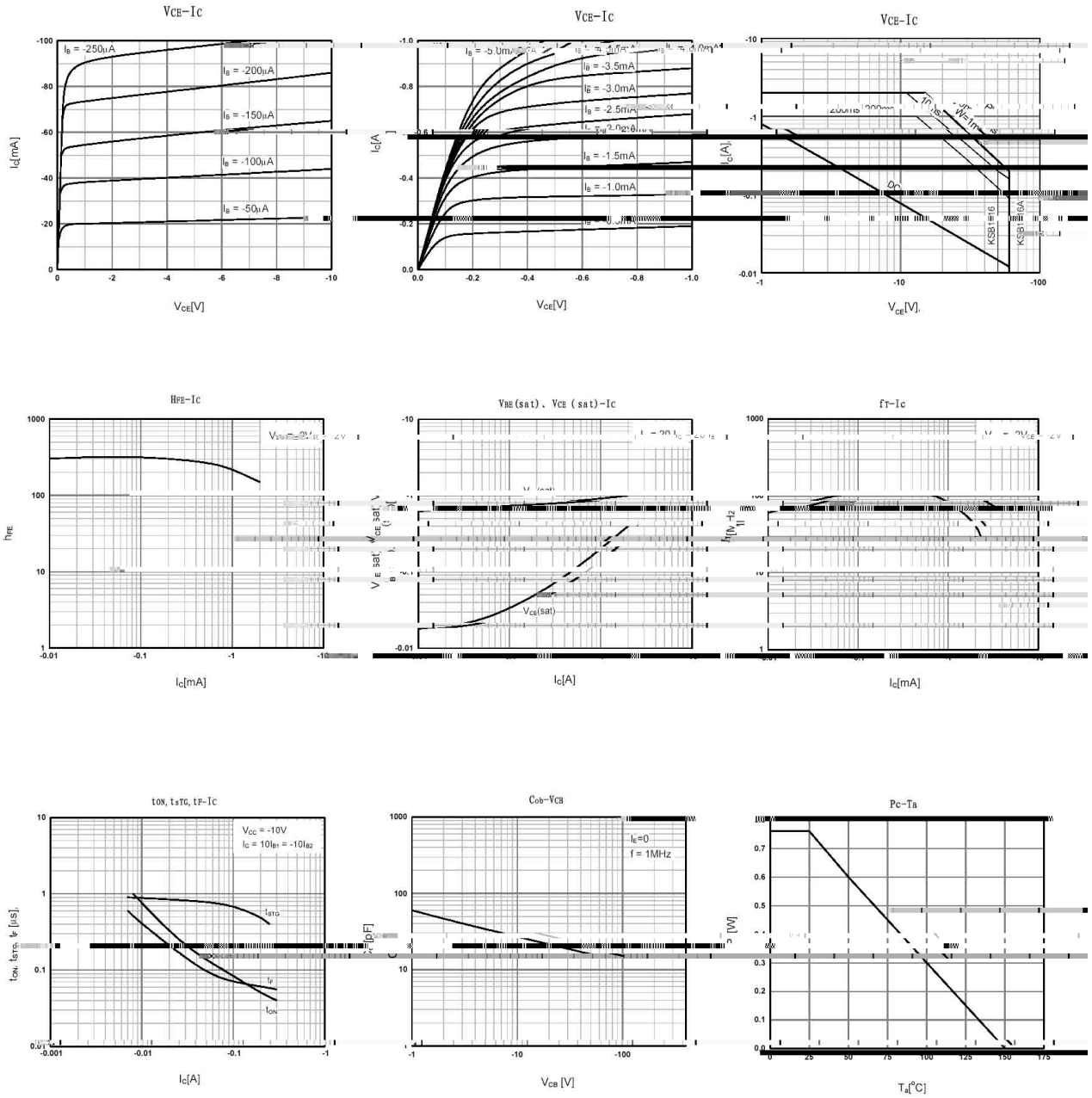
BJ; (- (- Žž

#




						μ
						μ

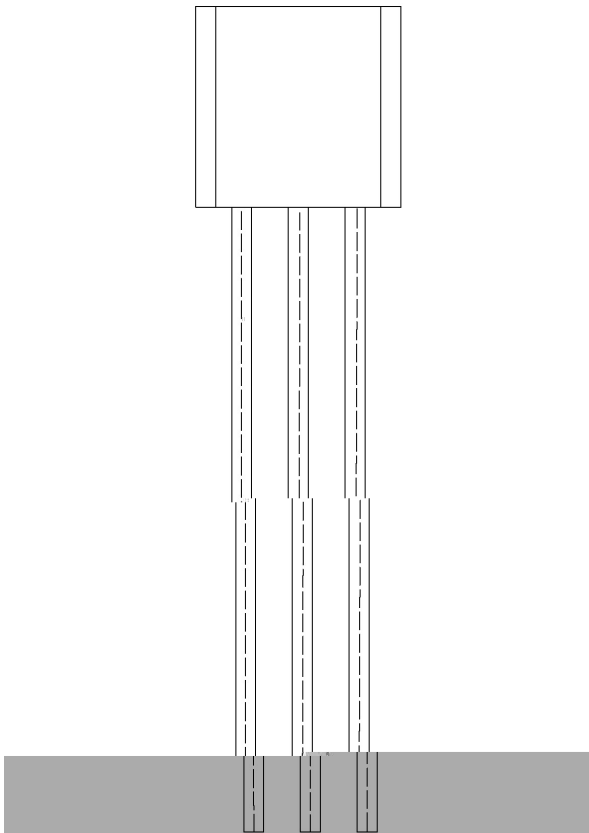
/ Electrical Characteristic Curve



**KSB1116(A)**

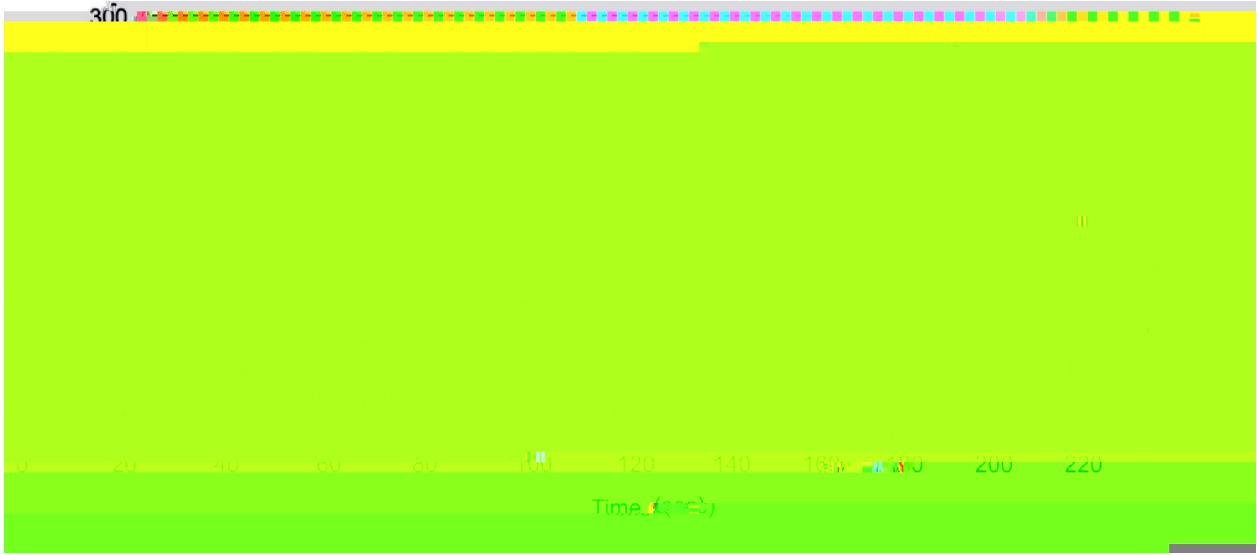
**DATA SHEET**

/ Marking Instructions



91 1  
9(((-

( ) / Temperature Profile for Dip Soldering(Pb-Free)



... ..

/ Resistance to Soldering Heat Test Conditions

... ..

/ Packaging SPEC.