

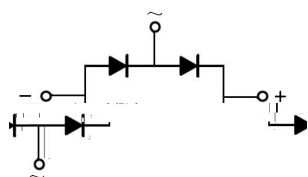
/ Descriptions

/ Features

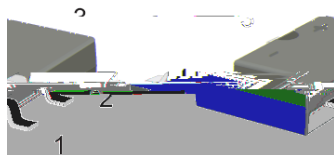
100V~1000V 1.0A

/ Applications

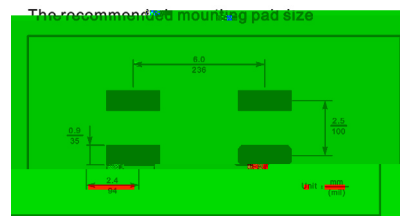
/ Equivalent Circuit



/ Pinning

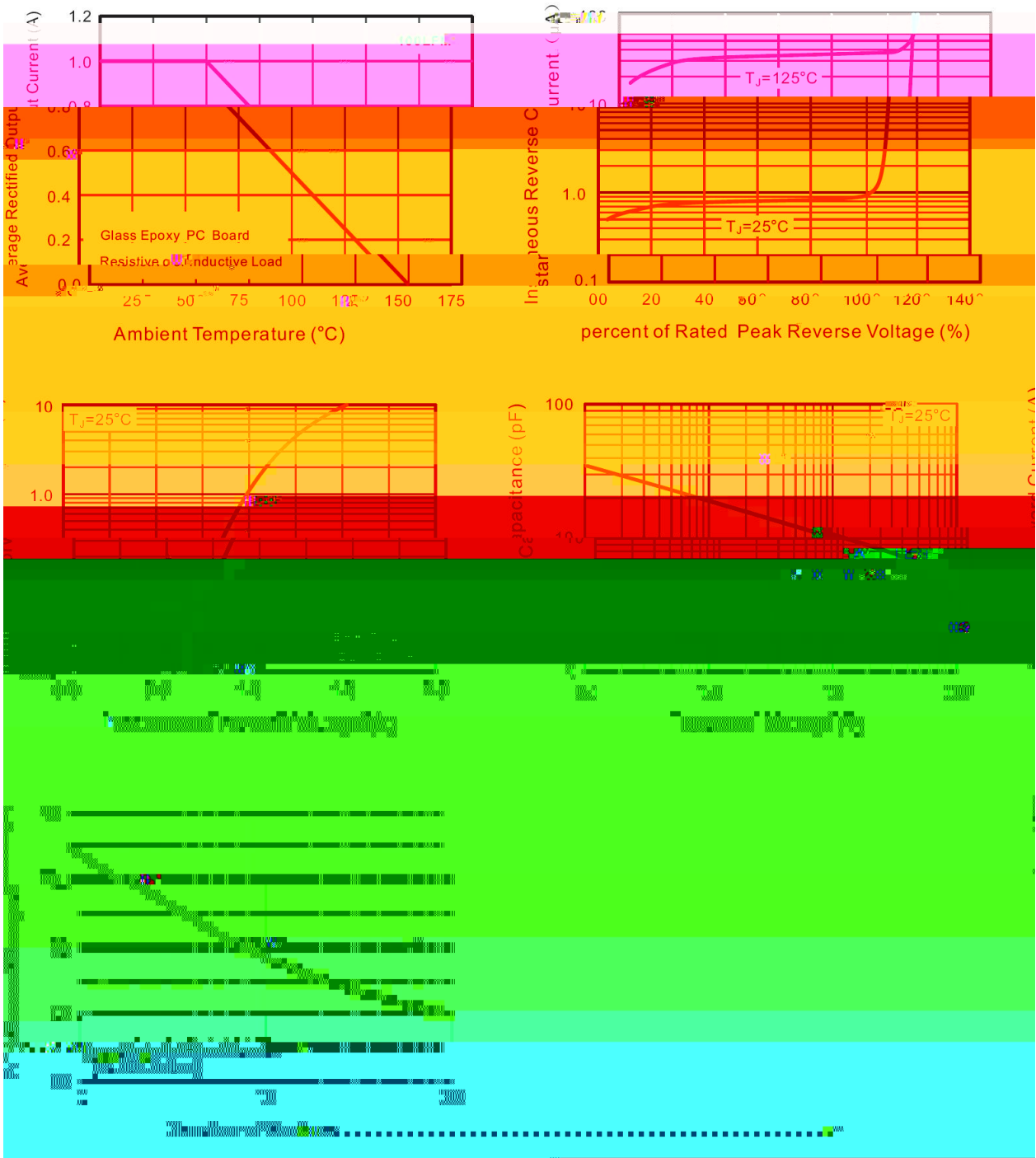


PIN	DESCRIPTION
1	Input Pin (AC)
2	Input Pin (DC)
3	Output Anode (+)
4	Output Cathode (-)



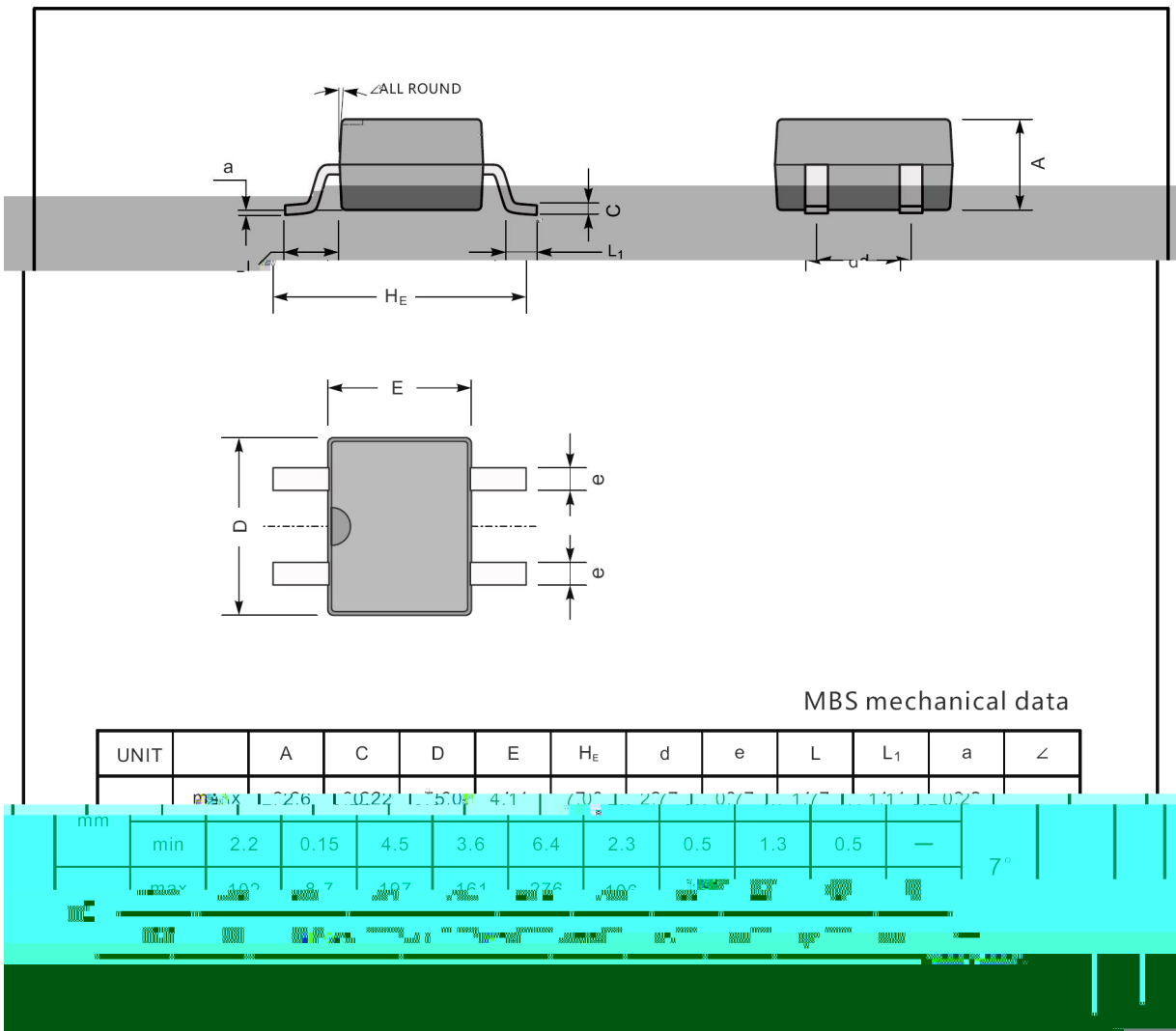
/ Marking

/ Electrical Characteristic Curve



/ Package Dimensions

MBS



MBS mechanical data

UNIT	A	C	D	E	HE	d	e	L	L1	a	∠
------	---	---	---	---	----	---	---	---	----	---	---

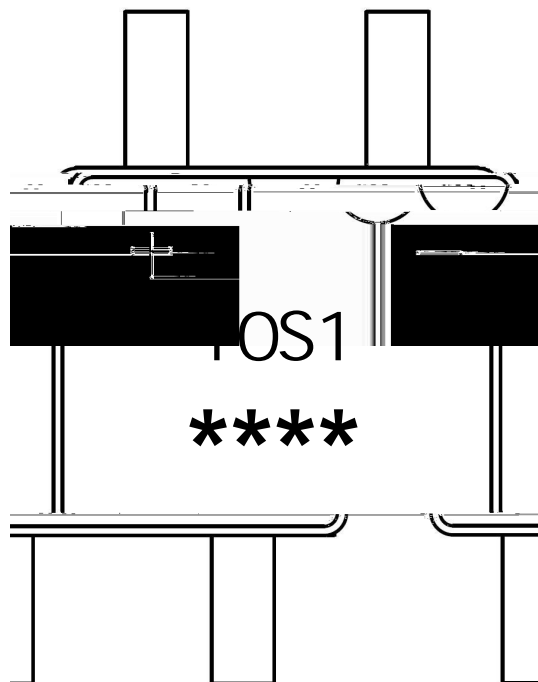
mm	2.6	0.22	5.0	4.1	7.0	2.7	0.7	1.7	1.1	0.2	
min	2.2	0.15	4.5	3.6	6.4	2.3	0.5	1.3	0.5		7°

/ Marking Instructions

Marking



/ Marking Instructions



10S1

1 *

3 *

10S1

*

*

