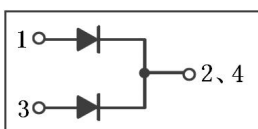


## / Descriptions

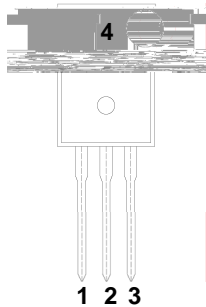
## / Features

## / Applications

## / Equivalent Circuit



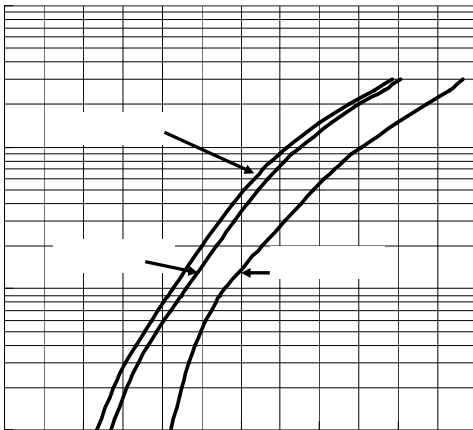
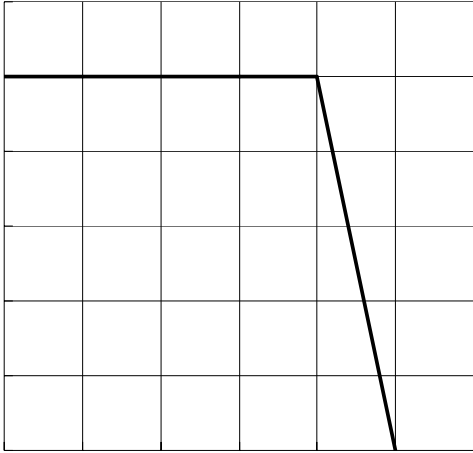
## / Pinning



## / h<sub>FE</sub> Classifications & Marking

MBRJ10100CT

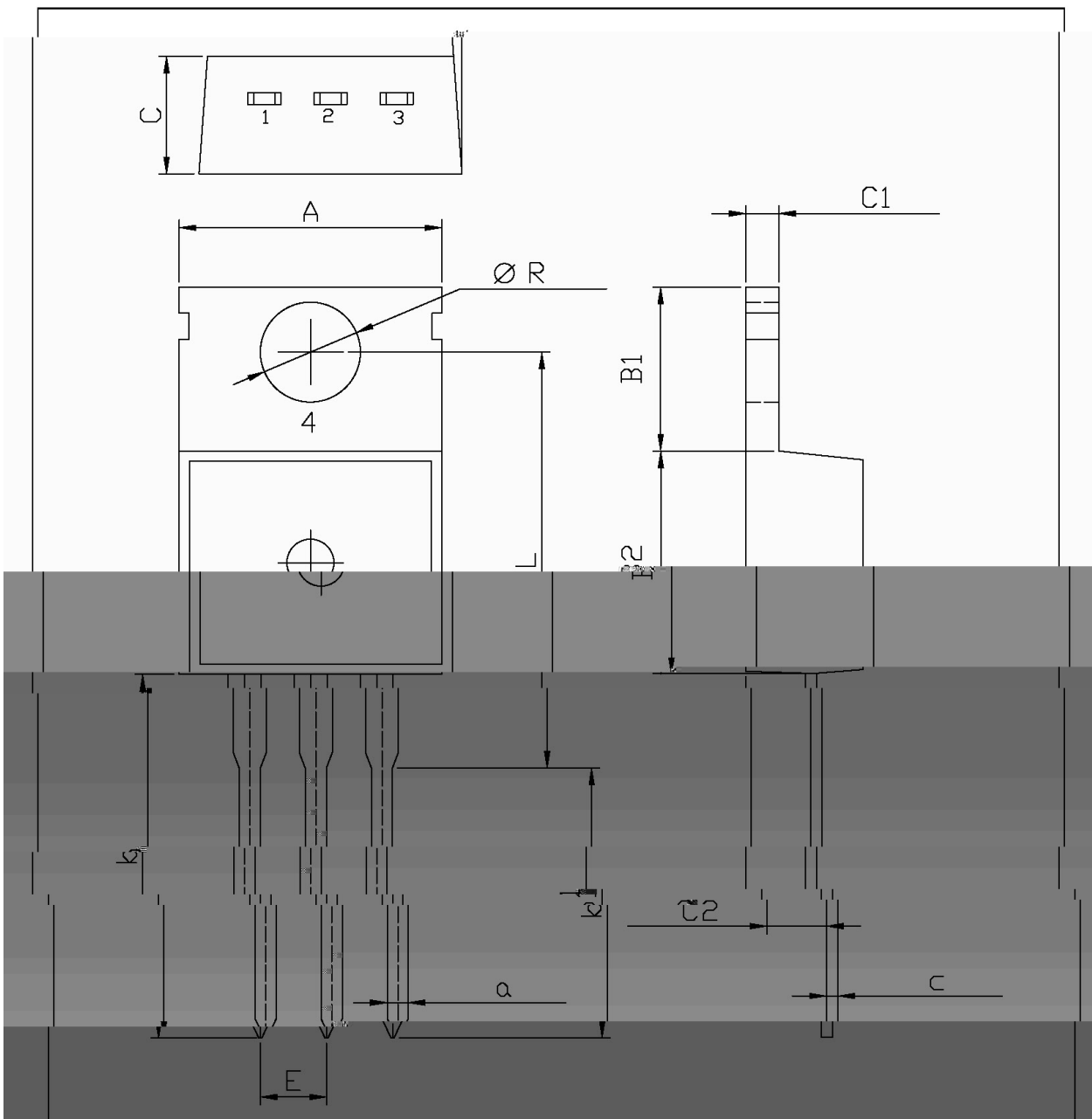

/ Electrical Characteristic Curve



/ Package Dimensions

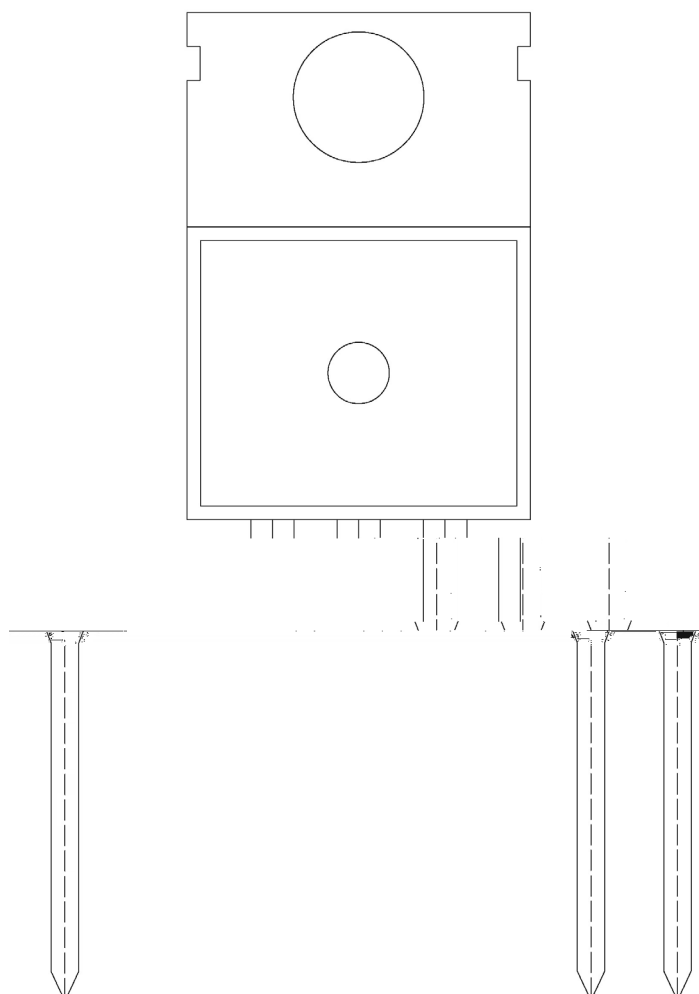
TO-220S

Unit: mm



Dimensions in Millimeters		Dimensions in Millimeters			
Symbol	Min.	Max.	Symbol	Min.	Max.
A	10.05	10.25	E	2.9	3.1
B1	10.05	10.25	C	2.9	3.1
B2	10.05	10.25	C1	2.9	3.1
C	2.9	3.1	C2	2.9	3.1
C1	2.9	3.1	E	2.9	3.1
C2	2.9	3.1	k1	2.9	3.1
E	2.9	3.1	L	2.9	3.1
k1	2.9	3.1	ØR	2.9	3.1
L	2.9	3.1	1	2.9	3.1
ØR	2.9	3.1	2	2.9	3.1
1	2.9	3.1	3	2.9	3.1
2	2.9	3.1	4	2.9	3.1
3	2.9	3.1			
4	2.9	3.1			

/ Marking Instructions



BR

MBRJ10100

CT:

\*\*\*\*

**MBRJ10100CT**

**DATA SHEET**